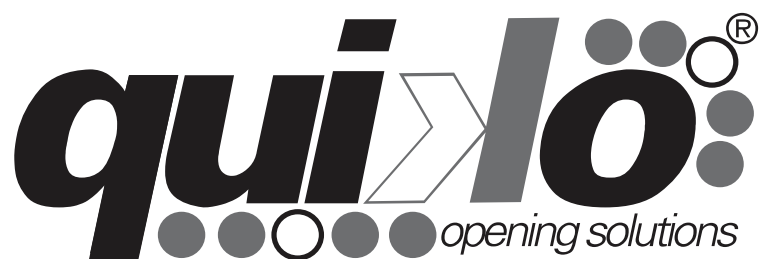




use and maintenance manual

ERCOLE

AUTOMATION FOR SLIDING GATES (230/110/400V)



WARNINGS FOR THE INSTALLER

GENERAL SAFETY OBLIGATIONS

- 1) **ATTENTION! To ensure the safety of people, it is important that you read all the following instructions. Incorrect installation or incorrect use of the product could cause serious harm to people.**
- 2) Carefully read the instructions before beginning to install the product.
- 3) Do not leave packing materials (plastic, polystyrene, etc.) within reach of children as such materials are potential sources of danger.
- 4) Store these instructions for future reference.
- 5) This product was designed and built strictly for the use indicated in this documentation. Any other use, not expressly indicated here, could compromise the good condition/operation of the product and/or be a source of danger.
- 6) QUIKO declines all liability caused by improper use or use other than that for which the automated system was intended.
- 7) Do not install the equipment in an explosive atmosphere: the presence of inflammable gas or fumes is a serious danger to safety.
- 8) The mechanical parts must conform to the provisions of Standards EN 12604 and EN 12605. For non-EU countries, to obtain an adequate level of safety, the Standards mentioned above must be observed, in addition to national legal regulations.
- 9) QUIKO is not responsible for failure to observe Good Technique in the construction of the closing elements to be motorised, or for any deformation that may occur during use.
- 10) The installation must conform to Standards EN 12453 and EN 12445. For non-EU countries, to obtain an adequate level of safety, the Standards mentioned above must be observed, in addition to national legal regulations.
- 11) Before attempting any job on the system, cut out electrical power.
- 12) The mains power supply of the automated system must be fitted with an all-pole switch with contact opening distance of 3mm or greater. Use of a 6A thermal breaker with all-pole circuit break is recommended.
- 13) Make sure that a differential switch with threshold of 0.03 A is fitted upstream of the system.
- 14) Make sure that the earthing system is perfectly constructed, and connect metal parts of the means of the closure to it.
- 15) The safety devices (EN 12978 standard) protect any danger areas against mechanical movement Risks, such as crushing, dragging, and shearing.
- 16) Use of at least one indicator-light is recommended for every system, as well as a warning sign adequately secured to the frame structure, in addition to the safety devices.
- 17) QUIKO declines all liability as concerns safety and efficient operation of the automated system, if system components not produced by ÜWSU are used.
- 18) For maintenance, strictly use original parts by QUIKO
- 19) Do not in any way modify the components of the automated system.
- 20) The installer shall supply all information concerning manual operation of the system in case of an emergency, and shall hand over to the user the warnings handbook supplied with the product.
- 21) Do not allow children or adults to stay near the product while it is operating.
- 22) Keep radiocontrols or other pulse generators away from children, to prevent the automated system from being activated involuntarily.
- 23) The user must not attempt any kind of repair or direct action whatever and contact qualified personnel only.
- 24) Transit is permitted only when the automated system is idle.
- 25) Maintenance: check at least every 6 months the efficiency of the system, particularly the efficiency of the safety devices (including, where foreseen, the operator thrust force) and of the release devices.
- 26) **Anything not expressly specified in these instructions is not permitted.**

These instructions apply to the following models: ERCOLE
The automatism ERCOLE gearmotor is an electro-mechanical operator designed for moving sliding gates.

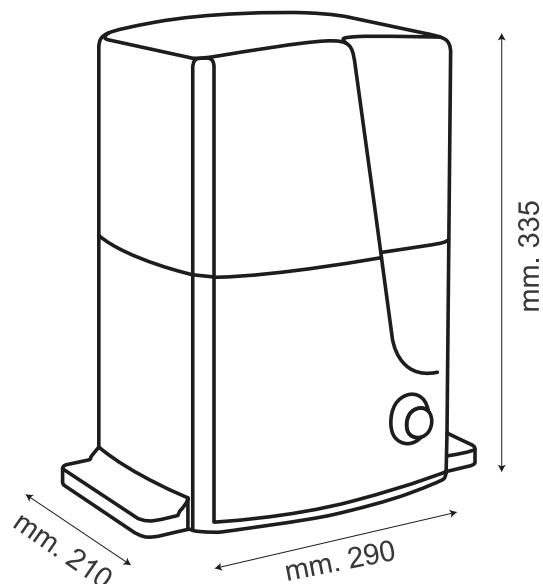
The non-reversing reduction system ensures the gate is mechanically locked when the gearmotor is not operating, therefore it is not necessary to install any electric lock. A convenient manual release with customised key makes it possible to move the gate in the event of a power failure or malfunction of the operator.

The ERCOLE gearmotor was designed and built for controlling vehicle access.

AVOID ANY OTHER USE WHATEVER.

1. DESCRIPTION AND TECHNICAL SPECIFICATIONS

1.1. DIMENSIONS



QK-E2500

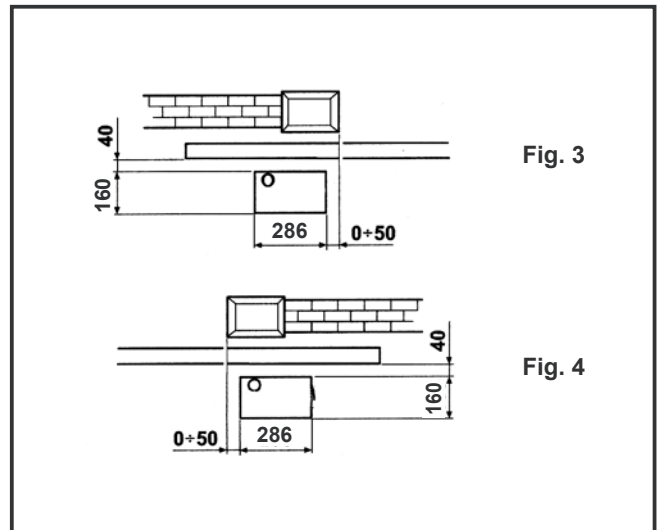
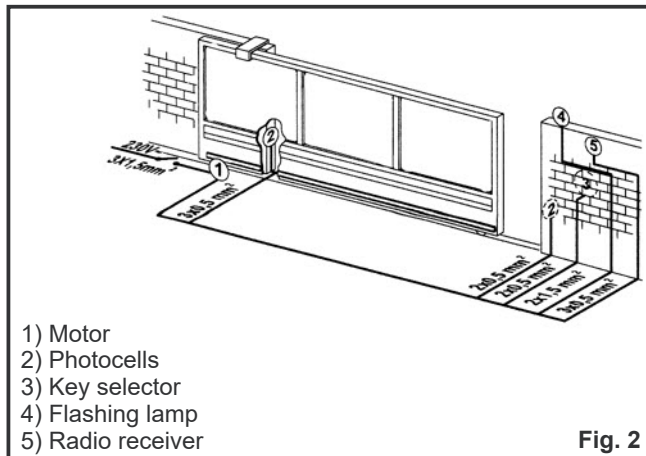
Monophase

QK-E2500T

Tree phase

| | QK-E2500 Monophase | QK-E2500T Tree phase |
|----------------------------|-------------------------------------|---------------------------------------|
| Power supply | 230V (+6% -10%) 50/60Hz | 380V (+6% -10%) 50/60Hz |
| Absorbed power (W) | 650 | |
| RPM (X min.) | 1400 | |
| Absorbed current (A) | 2,4 | |
| Capacitor | 25 uf | / |
| Reduction Ratio | 1:30 | |
| Pinion | Modulo 4 - Z16 | |
| Thrust on pinion (daN) | 170 | |
| Winding thermal protection | 130°C | |
| Use frequency | Intensive use | |
| Oil quantity (Lt) | 1 | |
| Oil type | Total Equivis HZS 68 | |
| Operating temperature | -30°C +70°C | |
| Gearmotor weight (Kg) | 17 | |
| Protection class | IP 55 | |
| Gate max weight (Kg) | 2500 | |
| Gate speed | 12m/min. | |

2. ELECTRICAL SET-UP (standard system)

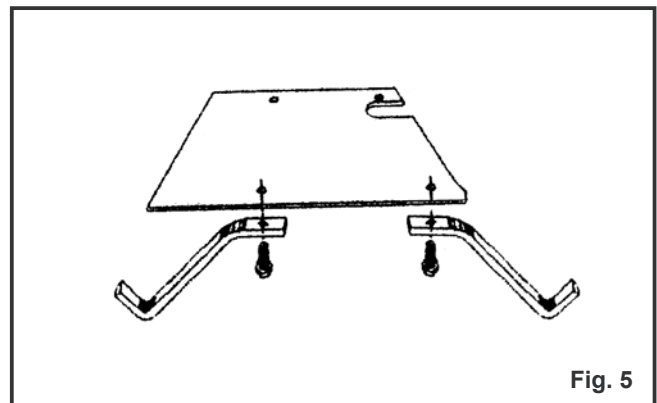


3. INSTALLING THE AUTOMATISM

3.1. Preliminary checks

To ensure safety and efficiency of the automated system, make sure the following requirements are observed before installing the system:

- The gate structure must be suitable for automation. The following are necessary in particular: wheel diameter must be in proportion to the weight of the gate, an upper track must be provided, plus mechanical travel stops to prevent the gate derailing.
- The soil must guarantee a perfect stability of the foundation plinth.
- There must be no pipes or electric cables in the plinth excavation area.
- If the gearmotor is located in the vehicle transit or manoeuvre area, adequate means of protection should be provided against accidental impact.
- Check if an efficient earthing is available for connection to the gearmotor.



3.2. MASONRY FOR FOUNDATION PLATE

1- Assemble the foundation plate as shown in figure 05.

2- In order to ensure that the pinion and rack engage correctly, the foundation plate must be positioned as shown in Fig. 03 (right closing) or Fig. 04 (left closing).

Warning: The hole for the cables on the foundation plate must always point to the gate, see Fig. 05.

3- After determining the position of the foundation plate, make a plinth as shown in Fig. 06 and wall the plate, providing several sheaths for routing the cables. Using a spirit level, check if the plate is perfectly level. Wait for the cement to set.

4- Lay the electric cables for connection to the accessories and power supply as shown in diagram of Fig. 02. To facilitate connections to the control unit, allow the cables to protrude by at least 45 cm from the hole on the foundation plate.

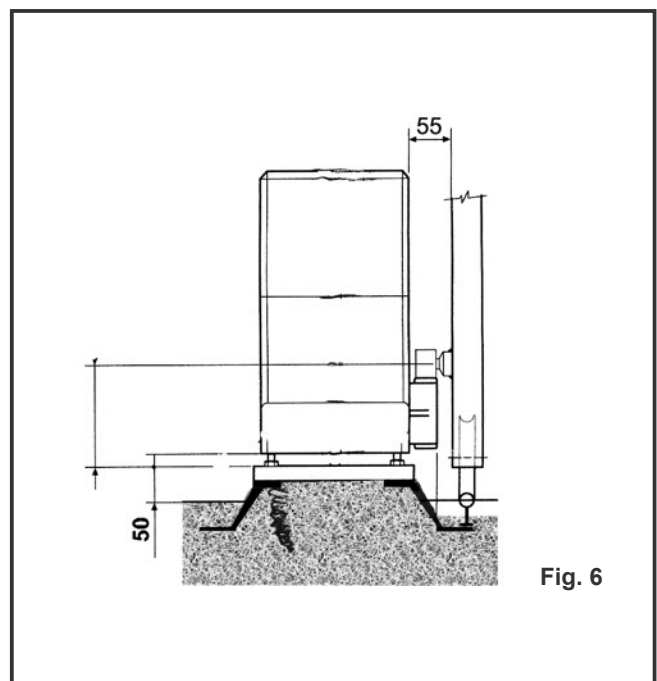
3.3. MECHANICAL INSTALLATION

1- Remove the cover and position the operator on the foundation plate, using the supplied washers and nuts. During this operation, route the cables through the appropriate openings in the motor body.

2- Adjust the height of the gearmotor and the distance from the gate, referring to dimensions in Fig. 6.

Attention: This operation is necessary to ensure the rack is correctly secured and to enable any new adjustments.

4- Secure the gearmotor to the plate, tightening the nuts.



3.4. ASSEMBLING THE RACK

3.4.1. STEEL RACK TO WELD (fig.7)

- 1) Fit the three threaded pawls on the rack element, positioning them at the bottom of the slot. In this way, the slot play will enable any future adjustments to be made.
- 2) Manually take the leaf into its closing position.
- 3) Lay the first section of rack level on the pinion and weld the threaded pawl on the gate.
- 4) Move the gate manually, checking if the rack is resting on the pinion, and weld the second and third pawl.
- 5) Position another rack element end to end with the previous one, using a section of rack to synchronise the teeth of the two elements.
- 6) Move the gate manually and weld the three threaded pawls, thus proceeding until the gate is fully covered.

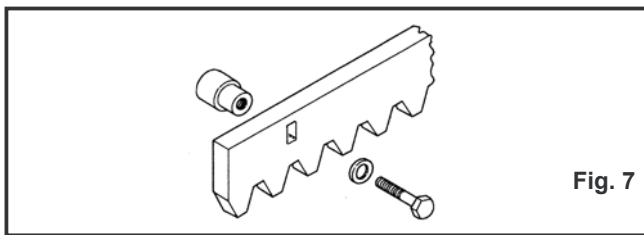


Fig. 7

3.4.2. STEEL RACK TO SCREW (fig. 8)

- 1) Manually take the leaf into its closing position.
- 2) Lay the first section of rack level on the pinion and place the spacer between the rack and the gate, positioning it at the bottom of the slot.
- 3) Mark the drilling point on the gate. Drill a $\varnothing 6,5$ mm hole and thread with an M8 male tap. Screw the bolt.
- 4) Move the gate manually, checking if the rack is resting on the pinion, and repeat the operations at point 3.
- 5) Position another rack element end to end with the previous one, using a section of rack to synchronise the teeth of the two elements.
- 6) Move the gate manually and carry out the securing operations as for the first element, thus proceeding until the gate is fully covered.

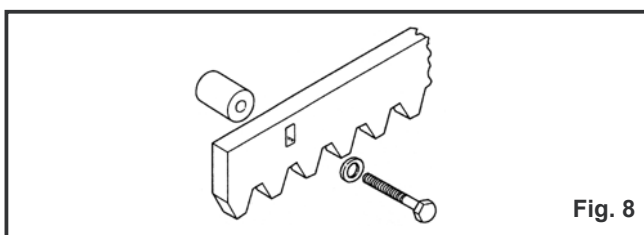


Fig. 8

3.4.3. NYLON RACK TO SCREW (fig. 9)

- 1) Manually take the leaf into its closing position.
- 2) Lay the first section of rack level on the pinion.
- 3) Mark the drilling point on the gate. Drill a $\varnothing 4$ mm hole and thread with screw 6x20 mm with relative plate reinforcement.
- 4) Move the gate manually, checking if the rack is resting on the pinion, and repeat the operations at point 2.
- 5) Position another rack element end to end with the previous one, using a section of rack to synchronise the teeth of the two elements.
- 6) Move the gate manually and carry out the securing operations as for the first element, thus proceeding until the gate is fully covered.

NOTES ON RACK INSTALLATION

- Make sure that, during the gate travel, all the rack elements do not exit the pinion.
- Do not, on any account, weld the rack elements either to the spacers or to each other. (only for steel rack).
- When the rack has been installed, to ensure it meshes correctly with the pinion, it is advisable to lower the gearmotor position by about 1.5 mm.
- Manually check if the gate correctly reaches the mechanical limit stops maintaining the pinion and rack coupled and make sure there is no friction during gate travel.
- Do not use grease or other lubricants between rack and pinion.

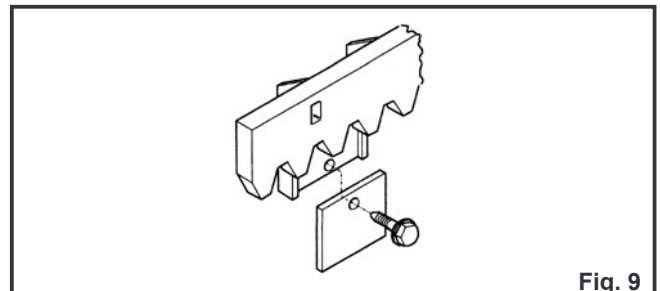


Fig. 9

4. START UP

4.1. CONTROL BOARD CONNECTION

ATTENTION:

Before attempting any work on the board (connections, programming, maintenance), always turn off power.

4.2. AUTOMATISM SYSTEM TEST

Once installation of the operator has been completed, make a careful functional check of all accessories and safety devices connected.

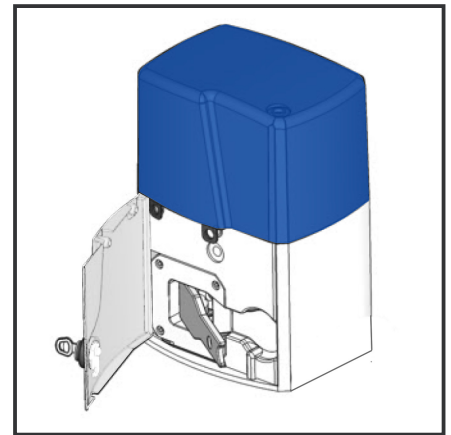
Give the Client the "User Guide" and demonstrate the correct operation and use of the gearmotor, highlighting the potentially dangerous zones of the automated system.

5. MANUAL OPERATION

If it is necessary to manually actuate the gate due to lack of power or disruption of automation, you must act on the release as follows.

LEVER UNLOCK

- 1) Insert the key supplied in the plastic fold and open it.
- 2) Pull the lever unlock.
- 3) Open or close the gate manually.



6. RESTORING NORMAL OPERATION

To prevent an inadvertent boost could move the gate during the maneuver, turn off the power supply , before locking again the motor.

LEVER UNLOCK

- 1) Close the unlock lever.
- 2) Move the gate until the release system meshes.
- 3) Close the plastic fold and restore the power supply to the system

7. MAINTENANCE

Check the functional operation of the system at least every six months, especially the efficiency of the safety devices (including the operator thrust force) and the release devices.

7.1. OIL FILLING

Periodically check the amount of oil within the operator.

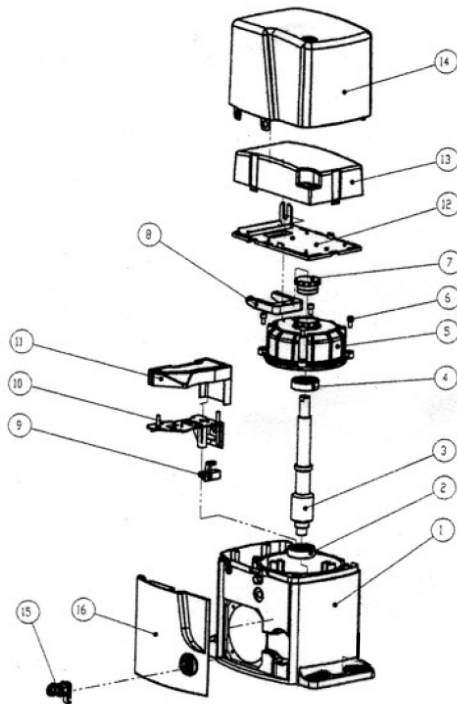
For medium-low frequency of use, an annual check is enough, for more intensive use it is recommended every 6 months.

To make filling, unscrew the cap and load until the level.

8. REPAIRS

For any repairs, contact 's authorised Repair Centres.

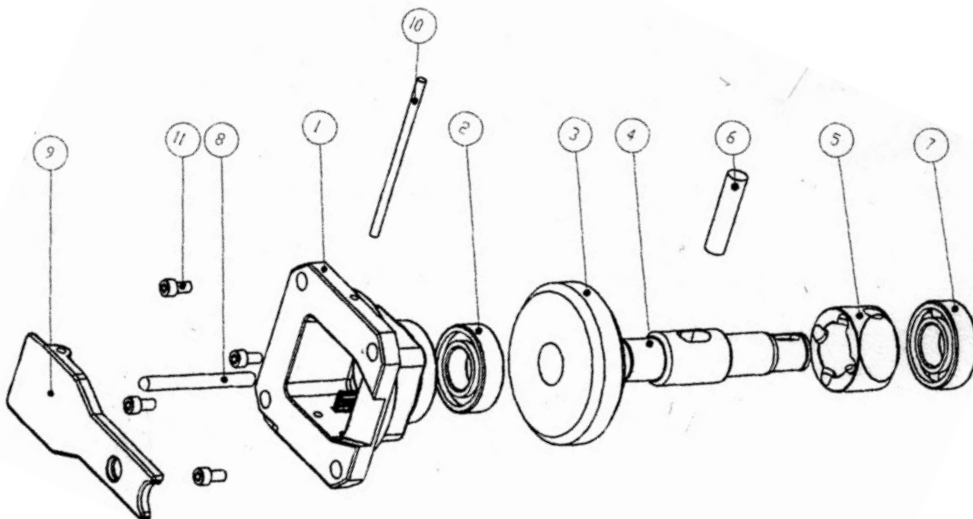
EXPLODED VIEW



SPARE PARTS

| | |
|----|-----------------------------|
| 1 | Body reducer |
| 2 | Bearing 6303 |
| 3 | Crankshaft |
| 4 | Bearing 6303 |
| 5 | Motor cover |
| 6 | Screw TCEI 6 x 12 |
| 7 | Register clutch cap |
| 8 | Electronic box hinge |
| 9 | Support spring limit switch |
| 10 | Limit switch box base |
| 11 | Limit switch cover |
| 12 | Electric box base |
| 13 | Electric box cover |
| 14 | External cover |
| 15 | MSC lock |
| 16 | Fold |

TRANSMISSION AND UNLOCK GROUP



| | |
|----|---------------------------|
| 1 | Square cap |
| 2 | Bearing 6205 |
| 3 | Helical wheel |
| 4 | Led tree |
| 5 | Unlock Coupling |
| 6 | Plug 12 X 47 |
| 7 | Bearing 6205 |
| 8 | Unlock pin 8 x 80,5 |
| 9 | Unlock lever |
| 10 | Unlock lever plug 5 X 106 |
| 11 | Screw TCEI 6 X 12 |

Read the instructions carefully before using the product and keep them for future consultation.

GENERAL SAFETY RULES

If installed and used correctly, the ERCOLE automated system will ensure a high degree of safety. Some simple rules regarding behaviour will avoid any accidental trouble:

- Do not stand near the automated system and do not allow children and other people or things to stand there, especially while it is operating.
- Keep radiocontrols or any other pulse generator well away from children to prevent the automated system from being activated involuntarily.
- Do not allow children to play with the automated system.
- Do not willingly obstruct gate movement.
- Prevent any branches or shrubs from interfering with gate movement.
- Keep light signalling systems efficient and clearly visible.
- Do not attempt to activate the gate by hand unless you have released it.
- In the event of malfunctions, release the gate to allow access and wait for qualified technical personnel to do the necessary work.
- After enabling manual operation, switch off the power supply to the system before restoring normal operation.
- Do not make any alterations to the components of the automated system.
- Do not attempt any kind of repair of direct action whatsoever and contact qualified personnel only.
- Call in qualified personnel at least every 6 months to check the efficiency of the automated system, safety devices and earth connection.

MANUAL OPERATION

If it is necessary to manually actuate the gate due to lack of power or disruption of automation, you must act on the release as follows.

LEVER UNLOCK

- 1) Insert the key supplied in the plastic fold and open it.
- 2) Pull the lever unlock.
- 3) Open or close the gate manually.

DESCRIPTION

The ERCOLE automated system is ideal for controlling vehicle access areas of medium transit frequency. The ERCOLE automated system for sliding gates

is an electro-mechanical operator transmitting motion to the sliding gate with a rack pinion appropriately coupled to the gate.

Operation of the sliding gate is controlled by an electronic control unit housed inside the operator or in a hermetically sealed outdoor enclosure.

When, with the gate closed, the unit receives an opening command by radiocontrol or from another suitable device, it activates the motor until the opening position is reached.

If automatic operation was set, the gate re-closes automatically after the selected pause time has elapsed.

If the semi-automatic operation was set, a second pulse must be sent to close the gate again.

An opening pulse during re-closing, always causes movement to be reversed.

A stop pulse (if provided) always stops movement.

The light signalling indicates that the gate is currently moving. For details on sliding gate behaviour in different function logics, consult the installation technician.

The automated systems include obstacle-detection and/or safety devices (photocells, edges) that prevent the gate from closing when there is an obstacle in the area they protect.

The system ensures mechanical locking when the motor is not operating and, therefore, it is not necessary to install any lock. Manual opening is, therefore, only possible by using the release system.

A convenient manual release with customised key makes it possible to move the gate in the event of a power failure or malfunction.

RESTORING NORMAL OPERATION

To prevent an inadvertent boost could move the gate during the maneuver, turn off the power supply, before locking again the motor.

LEVER UNLOCK

- 1) Close the unlock lever.
- 2) Move the gate until the release system meshes.
- 3) Close the plastic fold and restore the power supply to the system

EU Declaration of Conformity

and Declaration of Incorporation of "quasi-machines" (pursuant to the Machinery Directive 2006/42/CE, Att.II, B)



| | |
|---------------------------|-----------------------------|
| Company name: | QUIKO ITALY SRL |
| Postal address: | Via Seccalegno, 19 |
| Postcode and City: | 36040, Sossano (VI) - Italy |
| Telephone number: | +39 0444 785513 |
| E-Mail address: | info@quikoitaly.com |

declare that the DoC is issued under our sole responsibility and belongs to the following product:

| | |
|---------------------------------|--|
| Apparatus model/Product: | Ercole QK-E2500; QK-E2500T; QK-E2500RL4 |
| Type: | AUTOMATIONS FOR SLIDING GATES (230/400V) |
| Batch: | See the label on the motor |

The object of the declaration described above is in conformity with the relevant Union harmonisation legislation:

- **Directive 2006/42/CE (MD Directive)**

- It is declared that the relevant technical documentation has been drawn-up in compliance with attachment VII B.
- It is also declared that the following essential health and safety requirements have been respected: 1.1.1 - 1.1.2 - 1.1.3 - 1.1.5 - 1.2.1 - 1.2.6 - 1.3.1 - 1.3.2 - 1.3.3 - 1.3.4 - 1.3.7 - 1.3.9 - 1.5.1 - 1.5.2 - 1.5.4 - 1.5.5 - 1.5.6 - 1.5.7 - 1.5.8 - 1.5.10 - 1.5.11 - 1.5.13 - 1.6.1 - 1.6.2 - 1.6.4 - 1.7.2 - 1.7.3 - 1.7.4 - 1.7.4.1 - 1.7.4.2 - 1.7.4.3.
- The undersigned declares that the afore-mentioned "partly-completed machinery" cannot be commissioned until the final machine, into which it has been incorporated, has been declared compliant with the Machinery Directive 2006/42/CE.
- On duly justified request, the manufacturer commits to transmitting the information regarding the "partly-completed machinery" to the national authorities without prejudice to their intellectual property rights.

- **Directive 2014/53/EU (RED Directive)**

- **Directive 2011/65/EU (RoHS)**

The following harmonised standards and technical specifications have been applied:

| Title: | Date of standard/specification |
|---------------------|---------------------------------------|
| EN 61000-6-2 | 2005 + AC:2005 |
| EN 61000-6-3 | 2007 + A1:2011+AC:2012, |
| EN 301 489-1 V2.2.3 | 2019 |
| EN 301 489-3 V2.1.1 | 2017 |
| EN 60335-2-103 | 2015 |
| EN 12453 | 2017 |
| EN 62479 | 2010 |
| EN 300 220-2 V3.1.1 | 2017 |
| EN IEC 63000 | 2018 |

Additional information

| | | |
|-------------------------------------|---------------------------------|----------------------------------|
| Signed for and on behalf of: | | |
| Revision: | Place and date of issue: | Name, function, signature |
| 01.00 | GG/MM/AAAA | (Borinato Luca, Legal Officer) |
| | Sossano, 28/09/2021 | |

DECLARATION OF CONFORMITY
(OF THE INSTALLER)

The undersigned:

Address:

in charge of the set-up, declares that the product:

Gate type:

Location:

are in compliance with the essential safety requirements of the regulations:

- ✓ Electro magnetic Compatibility Directive2004/108/EC
- ✓ Low Voltage Directive2014/35/EC
- ✓ Machinery Directive2006/42/EC

and also declares that the related and/or specific national technical regulations have been followed:

- ✓ EN 12453/EN 12445 on Industrial, Commercial and Residential Gates and Doors – Safe Use of Motorized Doors – Requirements and Classification – Test Methods;
- ✓ EN 12604/ EN 12605 on Industrial, Commercial and Residential Gates and Doors – Mechanical Aspects – Requirements and Classification – Test Methods;
- ✓ CEI 64/8 Electrical Systems Using Nominal Tension Not Higher Than 1000V a.c. and 1500 V d.c.;
- ✓ EN 13241-1 (Industrial, commercial and garage doors and gates), conformity evaluation (6.3).

Notes:

Place and date:



QUIKO ITALY

Via Seccalegno, 19
36040 Sossano (VI) - Italy
Tel. +39 0444 785513
Fax +39 0444 782371
info@quikoitaly.com
www.quikoitaly.com

