



Download


E
N
G
L
I
S
H

use and maintenance manual

ERCOLE

AUTOMATION FOR SLIDING GATES (230/110/400V)



qui  **lö**®
opening solutions

WARNINGS FOR THE INSTALLER

GENERAL SAFETY OBLIGATIONS

- 1) **ATTENTION! To ensure the safety of people, it is important that you read all the following instructions. Incorrect installation or incorrect use of the product could cause serious harm to people.**
- 2) Carefully read the instructions before beginning to install the product.
- 3) Do not leave packing materials (plastic, polystyrene, etc.) within reach of children as such materials are potential sources of danger.
- 4) Store these instructions for future reference.
- 5) This product was designed and built strictly for the use indicated in this documentation. Any other use, not expressly indicated here, could compromise the good condition/operation of the product and/or be a source of danger.
- 6) QUIKO declines all liability caused by improper use or use other than that for which the automated system was intended.
- 7) Do not install the equipment in an explosive atmosphere: the presence of inflammable gas or fumes is a serious danger to safety.
- 8) The mechanical parts must conform to the provisions of Standards EN 12604 and EN 12605. For non-EU countries, to obtain an adequate level of safety, the Standards mentioned above must be observed, in addition to national legal regulations.
- 9) QUIKO is not responsible for failure to observe Good Technique in the construction of the closing elements to be motorised, or for any deformation that may occur during use.
- 10) The installation must conform to Standards EN 12453 and EN 12445. For non-EU countries, to obtain an adequate level of safety, the Standards mentioned above must be observed, in addition to national legal regulations.
- 11) Before attempting any job on the system, cut out electrical power.
- 12) The mains power supply of the automated system must be fitted with an all-pole switch with contact opening distance of 3mm or greater. Use of a 6A thermal breaker with all-pole circuit break is recommended.
- 13) Make sure that a differential switch with threshold of 0.03 A is fitted upstream of the system.
- 14) Make sure that the earthing system is perfectly constructed, and connect metal parts of the means of the closure to it.
- 15) The safety devices (EN 12978 standard) protect any danger areas against mechanical movement Risks, such as crushing, dragging, and shearing.
- 16) Use of at least one indicator-light is recommended for every system, as well as a warning sign adequately secured to the frame structure, in addition to the safety devices.
- 17) QUIKO declines all liability as concerns safety and efficient operation of the automated system, if system components not produced by ÚWSU are used.
- 18) For maintenance, strictly use original parts by QUIKO
- 19) Do not in any way modify the components of the automated system.
- 20) The installer shall supply all information concerning manual operation of the system in case of an emergency, and shall hand over to the user the warnings handbook supplied with the product.
- 21) Do not allow children or adults to stay near the product while it is operating.
- 22) Keep radiocontrols or other pulse generators away from children, to prevent the automated system from being activated involuntarily.
- 23) The user must not attempt any kind of repair or direct action whatever and contact qualified personnel only.
- 24) Transit is permitted only when the automated system is idle.
- 25) Maintenance: check at least every 6 months the efficiency of the system, particularly the efficiency of the safety devices (including, where foreseen, the operator thrust force) and of the release devices.
- 26) **Anything not expressly specified in these instructions is not permitted.**

These instructions apply to the following models: ERCOLE
The automatism ERCOLE gearmotor is an electro-mechanical operator designed for moving sliding gates.

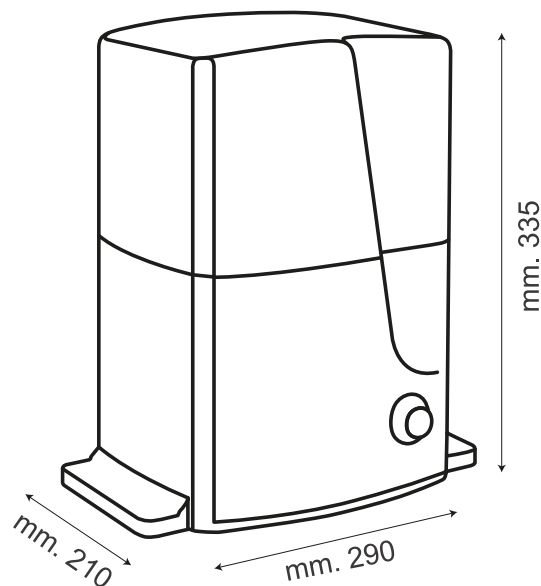
The non-reversing reduction system ensures the gate is mechanically locked when the gearmotor is not operating, therefore it is not necessary to install any electric lock
A convenient manual release with customised key makes it possible to move the gate in the event of a power failure or malfunction of the operator.

The ERCOLE gearmotor was designed and built for controlling vehicle access.

AVOID ANY OTHER USE WHATEVER.

1. DESCRIPTION AND TECHNICAL SPECIFICATIONS

1.1. DIMENSIONS



QK-E2500

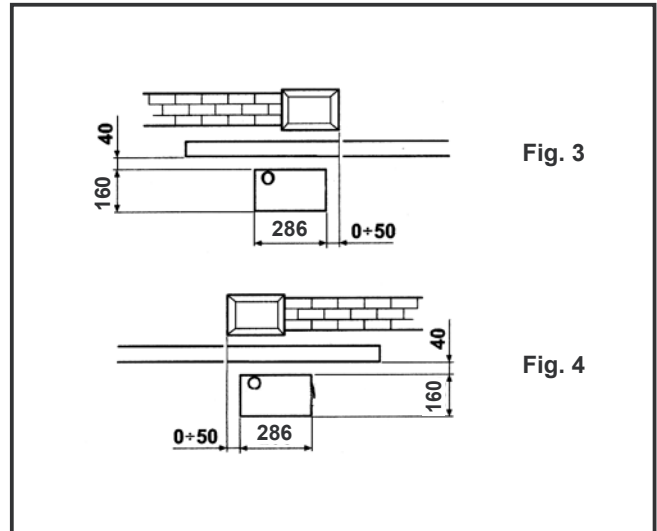
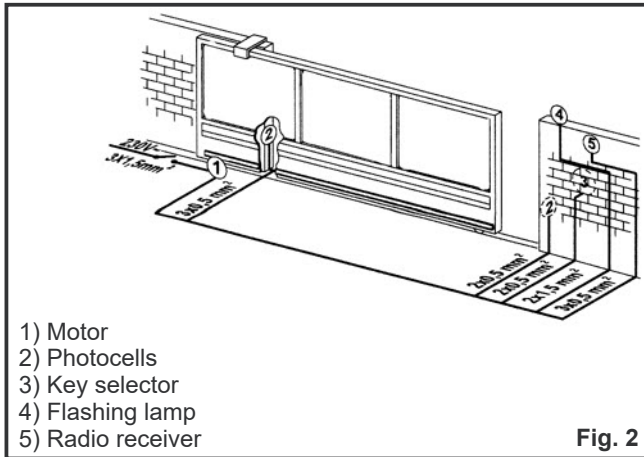
Monophase

QK-E2500T

Tree phase

	QK-E2500 Monophase	QK-E2500T Tree phase
Power supply	230V (+6% -10%) 50/60Hz	380V (+6% -10%) 50/60Hz
Absorbed power (W)	650	
RPM (X min.)	1400	
Absorbed current (A)	2,4	
Capacitor	25 uf	/
Reduction Ratio	1:30	
Pinion	Modulo 4 - Z16	
Thrust on pinion (daN)	170	
Winding thermal protection	130°C	
Use frequency	Intensive use	
Oil quantity (Lt)	1	
Oil type	Total Equivis HZS 68	
Operating temperature	-30°C +70°C	
Gearmotor weight (Kg)	17	
Protection class	IP 55	
Gate max weight (Kg)	2500	
Gate speed	12m/min.	
Clutch	Double disc in oil	

2. ELECTRICAL SET-UP (standard system)

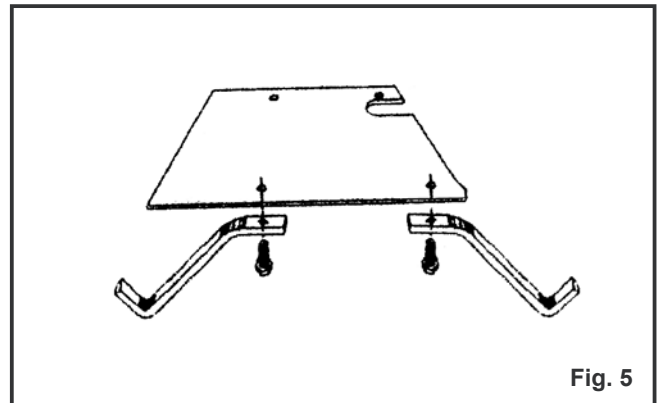


3. INSTALLING THE AUTOMATISM

3.1. Preliminary checks

To ensure safety and efficiency of the automated system, make sure the following requirements are observed before installing the system:

- The gate structure must be suitable for automation. The following are necessary in particular: wheel diameter must be in proportion to the weight of the gate, an upper track must be provided, plus mechanical travel stops to prevent the gate derailing.
- The soil must guarantee a perfect stability of the foundation plinth.
- There must be no pipes or electric cables in the plinth excavation area.
- If the gearmotor is located in the vehicle transit or manoeuvre area, adequate means of protection should be provided against accidental impact.
- Check if an efficient earthing is available for connection to the gearmotor.



3.2. MASONRY FOR FOUNDATION PLATE

1- Assemble the foundation plate as shown in figure 05.

2- In order to ensure that the pinion and rack engage correctly, the foundation plate must be positioned as shown in Fig. 03 (right closing) or Fig. 04 (left closing).

Warning: The hole for the cables on the foundation plate must always point to the gate, see Fig. 05.

3- After determining the position of the foundation plate, make a plinth as shown in Fig. 06 and wall the plate, providing several sheaths for routing the cables. Using a spirit level, check if the plate is perfectly level. Wait for the cement to set.

4- Lay the electric cables for connection to the accessories and power supply as shown in diagram of Fig. 02. To facilitate connections to the control unit, allow the cables to protrude by at least 45 cm from the hole on the foundation plate.

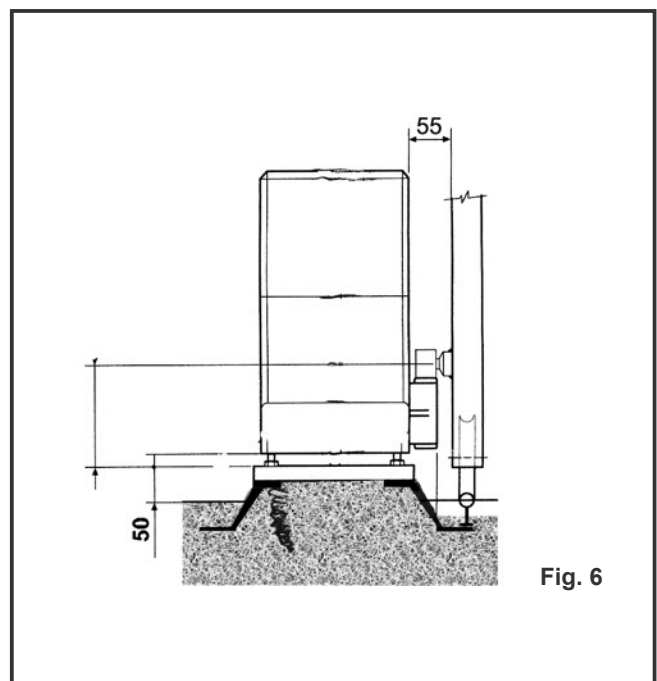
3.3. MECHANICAL INSTALLATION

1- Remove the cover and position the operator on the foundation plate, using the supplied washers and nuts. During this operation, route the cables through the appropriate openings in the motor body.

2- Adjust the height of the gearmotor and the distance from the gate, referring to dimensions in Fig. 6.

Attention: This operation is necessary to ensure the rack is correctly secured and to enable any new adjustments.

4- Secure the gearmotor to the plate, tightening the nuts.



3.4. ASSEMBLING THE RACK

3.4.1. STEEL RACK TO WELD (fig.7)

- 1) Fit the three threaded pawls on the rack element, positioning them at the bottom of the slot. In this way, the slot play will enable any future adjustments to be made.
- 2) Manually take the leaf into its closing position.
- 3) Lay the first section of rack level on the pinion and weld the threaded pawl on the gate.
- 4) Move the gate manually, checking if the rack is resting on the pinion, and weld the second and third pawl.
- 5) Position another rack element end to end with the previous one, using a section of rack to synchronise the teeth of the two elements.
- 6) Move the gate manually and weld the three threaded pawls, thus proceeding until the gate is fully covered.

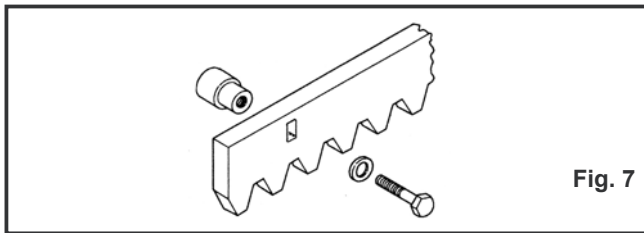


Fig. 7

3.4.2. STEEL RACK TO SCREW (fig. 8)

- 1) Manually take the leaf into its closing position.
- 2) Lay the first section of rack level on the pinion and place the spacer between the rack and the gate, positioning it at the bottom of the slot.
- 3) Mark the drilling point on the gate. Drill a $\varnothing 6,5$ mm hole and thread with an M8 male tap. Screw the bolt.
- 4) Move the gate manually, checking if the rack is resting on the pinion, and repeat the operations at point 3.
- 5) Position another rack element end to end with the previous one, using a section of rack to synchronise the teeth of the two elements.
- 6) Move the gate manually and carry out the securing operations as for the first element, thus proceeding until the gate is fully covered.

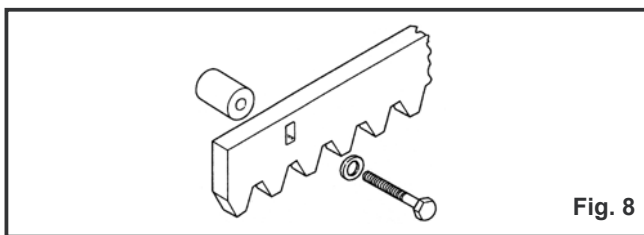


Fig. 8

3.4.3. NYLON RACK TO SCREW (fig. 9)

- 1) Manually take the leaf into its closing position.
- 2) Lay the first section of rack level on the pinion.
- 3) Mark the drilling point on the gate. Drill a $\varnothing 4$ mm hole and thread with screw 6x20 mm with relative plate reinforcement.
- 4) Move the gate manually, checking if the rack is resting on the pinion, and repeat the operations at point 2.
- 5) Position another rack element end to end with the previous one, using a section of rack to synchronise the teeth of the two elements.
- 6) Move the gate manually and carry out the securing operations as for the first element, thus proceeding until the gate is fully covered.

NOTES ON RACK INSTALLATION

- Make sure that, during the gate travel, all the rack elements do not exit the pinion.
- Do not, on any account, weld the rack elements either to the spacers or to each other. (only for steel rack).
- When the rack has been installed, to ensure it meshes correctly with the pinion, it is advisable to lower the gearmotor position by about 1.5 mm.
- Manually check if the gate correctly reaches the mechanical limit stops maintaining the pinion and rack coupled and make sure there is no friction during gate travel.
- Do not use grease or other lubricants between rack and pinion.

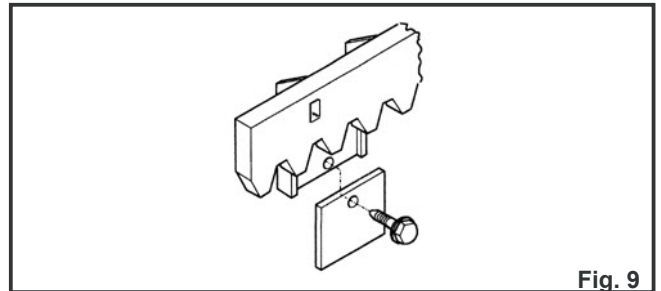


Fig. 9

4. START UP

4.1. CONTROL BOARD CONNECTION

ATTENTION:

Before attempting any work on the board (connections, programming, maintenance), always turn off power.

4.2. AUTOMATISM SYSTEM TEST

Once installation of the operator has been completed, make a careful functional check of all accessories and safety devices connected.

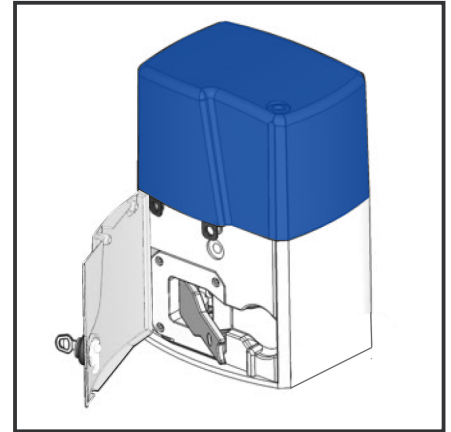
Give the Client the "User Guide" and demonstrate the correct operation and use of the gearmotor, highlighting the potentially dangerous zones of the automated system.

5. MANUAL OPERATION

If it is necessary to manually actuate the gate due to lack of power or disruption of automation, you must act on the release as follows.

LEVER UNLOCK

- 1) Insert the key supplied in the plastic fold and open it.
- 2) Pull the lever unlock.
- 3) Open or close the gate manually.



6. RESTORING NORMAL OPERATION

To prevent an inadvertent boost could move the gate during the maneuver, turn off the power supply , before locking again the motor.

LEVER UNLOCK

- 1) Close the unlock lever.
- 2) Move the gate until the release system meshes.
- 3) Close the plastic fold and restore the power supply to the system

7. MAINTENANCE

Check the functional operation of the system at least every six months, especially the efficiency of the safety devices (including the operator thrust force) and the release devices.

7.1. OIL FILLING

Periodically check the amount of oil within the operator.

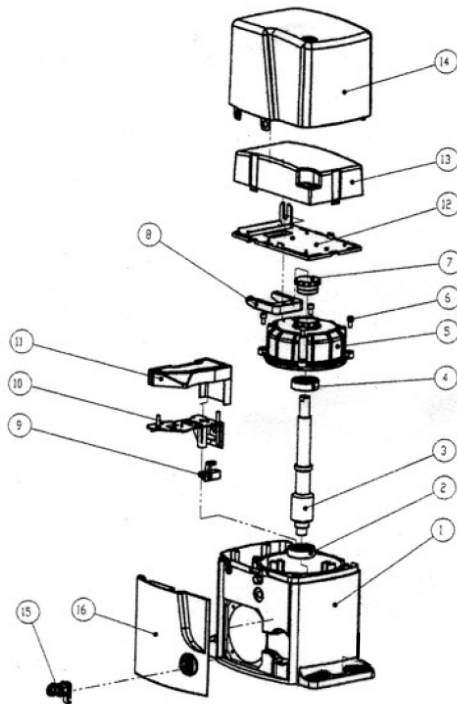
For medium-low frequency of use, an annual check is enough, for more intensive use it is recommended every 6 months.

To make filling, unscrew the cap and load until the level.

8. REPAIRS

For any repairs, contact **ÛWSU**'s authorised Repair Centres.

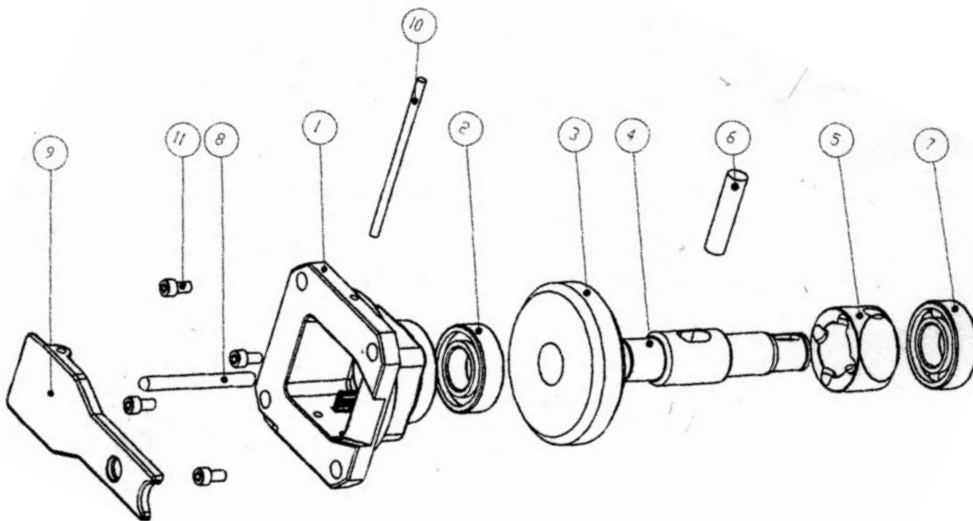
EXPLODED VIEW



SPARE PARTS

1	Body reducer
2	Bearing 6303
3	Crankshaft
4	Bearing 6303
5	Motor cover
6	Screw TCEI 6 x 12
7	Register clutch cap
8	Electronic box hinge
9	Support spring limit switch
10	Limit switch box base
11	Limit switch cover
12	Electric box base
13	Electric box cover
14	External cover
15	MSC lock
16	Fold

TRANSMISSION AND UNLOCK GROUP



1	Square cap
2	Bearing 6205
3	Helical wheel
4	Led tree
5	Unlock Coupling
6	Plug 12 X 47
7	Bearing 6205
8	Unlock pin 8 x 80,5
9	Unlock lever
10	Unlock lever plug 5 X 106
11	Screw TCEI 6 X 12

Read the instructions carefully before using the product and keep them for future consultation.

GENERAL SAFETY RULES

If installed and used correctly, the ERCOLE automated system will ensure a high degree of safety. Some simple rules regarding behaviour will avoid any accidental trouble:

- Do not stand near the automated system and do not allow children and other people or things to stand there, especially while it is operating.
- Keep radiocontrols or any other pulse generator well away from children to prevent the automated system from being activated involuntarily.
- Do not allow children to play with the automated system.
- Do not willingly obstruct gate movement.
- Prevent any branches or shrubs from interfering with gate movement.
- Keep light signalling systems efficient and clearly visible.
- Do not attempt to activate the gate by hand unless you have released it.
- In the event of malfunctions, release the gate to allow access and wait for qualified technical personnel to do the necessary work.
- After enabling manual operation, switch off the power supply to the system before restoring normal operation.
- Do not make any alterations to the components of the automated system.
- Do not attempt any kind of repair of direct action whatsoever and contact qualified personnel only.
- Call in qualified personnel at least every 6 months to check the efficiency of the automated system, safety devices and earth connection.

MANUAL OPERATION

If it is necessary to manually actuate the gate due to lack of power or disruption of automation, you must act on the release as follows.

LEVER UNLOCK

- 1) Insert the key supplied in the plastic fold and open it.
- 2) Pull the lever unlock.
- 3) Open or close the gate manually.

DESCRIPTION

The ERCOLE automated system is ideal for controlling vehicle access areas of medium transit frequency. The ERCOLE automated system for sliding gates

is an electro-mechanical operator transmitting motion to the sliding gate with a rack pinion appropriately coupled to the gate.

Operation of the sliding gate is controlled by an electronic control unit housed inside the operator or in a hermetically sealed outdoor enclosure.

When, with the gate closed, the unit receives an opening command by radiocontrol or from another suitable device, it activates the motor until the opening position is reached.

If automatic operation was set, the gate re-closes automatically after the selected pause time has elapsed.

If the semi-automatic operation was set, a second pulse must be sent to close the gate again.

An opening pulse during re-closing, always causes movement to be reversed.

A stop pulse (if provided) always stops movement.

The light signalling indicates that the gate is currently moving. For details on sliding gate behaviour in different function logics, consult the installation technician.

The automated systems include obstacle-detection and/or safety devices (photocells, edges) that prevent the gate from closing when there is an obstacle in the area they protect.

The system ensures mechanical locking when the motor is not operating and, therefore, it is not necessary to install any lock. Manual opening is, therefore, only possible by using the release system.

The gearmotor ERCOLE have a mechanical clutch, so it doesn't need any electronic clutch.

A convenient manual release with customised key makes it possible to move the gate in the event of a power failure or malfunction.

RESTORING NORMAL OPERATION

To prevent an inadvertent boost could move the gate during the maneuver, turn off the power supply, before locking again the motor.

LEVER UNLOCK

- 1) Close the unlock lever.
- 2) Move the gate until the release system meshes.
- 3) Close the plastic fold and restore the power supply to the system

EU Declaration of Conformity

and Declaration of Incorporation of "quasi-machines" (pursuant to the Machinery Directive 2006/42/CE, Att.II, B)



Company name:	QUIKO ITALY SRL
Postal address:	Via Seccalegno, 19
Postcode and City:	36040, Sossano (VI) - Italy
Telephone number:	+39 0444 785513
E-Mail address:	info@quikoitaly.com

declare that the DoC is issued under our sole responsibility and belongs to the following product:

Apparatus model/Product:	Ercole QK-E2500; QK-E2500T
Type:	AUTOMATIONS FOR SLIDING GATES (230/400V)
Batch:	See the label on the motor

The object of the declaration described above is in conformity with the relevant Union harmonisation legislation:

- **Directive 2006/42/CE (MD Directive)**

- It is declared that the relevant technical documentation has been drawn-up in compliance with attachment VII B.
- It is also declared that the following essential health and safety requirements have been respected: 1.1.1 - 1.1.2 - 1.1.3 - 1.1.5 - 1.2.1 - 1.2.6 - 1.3.1 - 1.3.2 - 1.3.3 - 1.3.4 - 1.3.7 - 1.3.9 - 1.5.1 - 1.5.2 - 1.5.4 - 1.5.5 - 1.5.6 - 1.5.7 - 1.5.8 - 1.5.10 - 1.5.11 - 1.5.13 - 1.6.1 - 1.6.2 - 1.6.4 - 1.7.2 - 1.7.3 - 1.7.4 - 1.7.4.1 - 1.7.4.2 - 1.7.4.3.
- The undersigned declares that the afore-mentioned "partly-completed machinery" cannot be commissioned until the final machine, into which it has been incorporated, has been declared compliant with the Machinery Directive 2006/42/CE.
- On duly justified request, the manufacturer commits to transmitting the information regarding the "partly-completed machinery" to the national authorities without prejudice to their intellectual property rights.

- **Directive 2014/53/EU (RED Directive)**

- **Directive 2011/65/EU (RoHS)**

The following harmonised standards and technical specifications have been applied:

Title:	Date of standard/specification
EN 61000-6-2	2005 + AC:2005
EN 61000-6-3	2007 + A1:2011+AC:2012,
EN 301 489-1 V2.2.3	2019
EN 301 489-3 V2.1.1	2017
EN 60335-2-103	2015
EN 12453	2017
EN 62479	2010
EN 300 220-2 V3.1.1	2017
EN IEC 63000	2018

Additional information

Signed for and on behalf of:		
Revision:	Place and date of issue:	Name, function, signature
01.00	GG/MM/AAAA	(Borinato Luca, Legal Officer)
	Sossano, 28/09/2021	

DECLARATION OF CONFORMITY
(OF THE INSTALLER)

The undersigned:

Address:

in charge of the set-up, declares that the product:

Gate type:

Location:

are in compliance with the essential safety requirements of the regulations:

- ✓ Electro magnetic Compatibility Directive2004/108/EC
- ✓ Low Voltage Directive2014/35/EC
- ✓ Machinery Directive2006/42/EC

and also declares that the related and/or specific national technical regulations have been followed:

- ✓ EN 12453/EN 12445 on Industrial, Commercial and Residential Gates and Doors – Safe Use of Motorized Doors – Requirements and Classification – Test Methods;
- ✓ EN 12604/ EN 12605 on Industrial, Commercial and Residential Gates and Doors – Mechanical Aspects – Requirements and Classification – Test Methods;
- ✓ CEI 64/8 Electrical Systems Using Nominal Tension Not Higher Than 1000V a.c. and 1500 V d.c.;
- ✓ EN 13241-1 (Industrial, commercial and garage doors and gates), conformity evaluation (6.3).

Notes:

Place and date:



QUIKO ITALY

Via Seccalegno, 19
36040 Sossano (VI) - Italy
Tel. +39 0444 785513
Fax +39 0444 782371
info@quikoitaly.com
www.quikoitaly.com



Manual de uso y mantenimiento

ERCOLE

AUTOMATIZACIÓN DE CANCELAS CORREDERAS



quiö[®]
opening solutions

ADVERTENCIAS PARA EL INSTALADOR

REGLAS GENERALES PARA LA SEGURIDAD

1) ¡ATENCIÓN! Para poder garantizar la seguridad personal, es importante seguir atentamente todas las instrucciones. La instalación incorrecta o el uso inapropiado del producto pueden provocar graves daños personales.

2) Leer detenidamente las instrucciones antes de empezar a instalar el equipo.

3) No dejar los materiales de embalaje al alcance de los niños, ya que constituyen fuentes potenciales de peligro.

4) Conservar las instrucciones para futuras consultas.

5) Este producto ha sido proyectado y construido exclusivamente para el uso indicado en el presente manual. Cualquier aplicación no expresamente indicada podría resultar perjudicial para el equipo o para las personas circunstantes.

6) El fabricante declina toda responsabilidad ante inconvenientes derivados del uso impropio del equipo o de aplicaciones distintas de aquella para la cual el mismo fue creado.

7) No instalar el aparato en una atmósfera explosiva. La presencia de gases o humos inflamables implica un grave peligro para la seguridad.

8) Los elementos mecánicos de construcción deben ser conformes a lo establecido en las Normativas UNI 8612, EN pr EN 12604 y CEN pr EN 12605. En los países no pertenecientes a la CEE, además de respetarse las normativas nacionales, para obtener un nivel de seguridad adecuado deben cumplirse las normas arriba mencionadas.

9) El fabricante no es responsable por la inobservancia de los adecuados criterios técnicos en la construcción de los cierres que se van a motorizar, ni por las deformaciones que puedan verificarse con el uso.

10) La instalación debe efectuarse de conformidad con las Normas UNI 8612, CEN pr EN 12453 y CEN pr EN 12635. El nivel de seguridad del equipo automático debe ser C+E.

11) Antes de efectuar cualquier operación en el equipo, desconéctelo de la alimentación eléctrica.

12) La red de alimentación del equipo automático debe estar dotada de un interruptor omnipolar con una distancia de apertura de los contactos igual o superior a 3 mm. Como alternativa, se aconseja utilizar un interruptor magnetotérmico de 6 A con interrupción omnipolar.

13) Comprobar que antes de la instalación eléctrica haya un interruptor diferencial con umbral de 0,03 A

14) Cerciorarse de que la conexión a tierra está correctamente realizada. Conectar a ella las partes metálicas del cierre y el cable amarillo/verde del equipo automático.

15) Los dispositivos de seguridad (por ej.: fotocélulas, bandas sensibles, etc.) permiten evitar peligros derivados de acciones mecánicas de movimiento (aplastamiento, arrastre, cercenamiento).

16) Para cada equipo es indispensable utilizar por lo menos una señalización luminosa así como también un letrero de señalización correctamente fijado a la estructura de la cancela, además de los dispositivos de seguridad.

17) El fabricante declina toda responsabilidad respecto a la seguridad y al correcto funcionamiento del equipo automático en el caso de que se utilicen otros componentes del sistema que no hayan sido producidos por dicha empresa.

18) Para el mantenimiento, utilizar exclusivamente recambios originales.

19) No efectuar ninguna modificación de los elementos que componen el sistema de automatización.

20) El técnico instalador debe facilitar toda la información relativa al funcionamiento manual del sistema en casos de emergencia, y entregar al usuario del sistema las "Instrucciones para el usuario" que se anexa al producto.

21) No permitir que los niños, ni ninguna otra persona, permanezcan en proximidad del equipo durante el funcionamiento.

22) No dejar al alcance de los niños mandos a distancia ni otros generadores de impulsos, para evitar que el equipo automático sea accionado involuntariamente.

23) El usuario debe abstenerse de todo intento de reparación o de intervención directa; es preciso consultar siempre con personal especializado.

24) Todo aquello que no esté expresamente especificado en estas instrucciones habrá de considerarse no permitido.

AUTOMATISMOS ERCOLE

Las presentes instrucciones son válidas para los siguientes modelos:ERCOLE

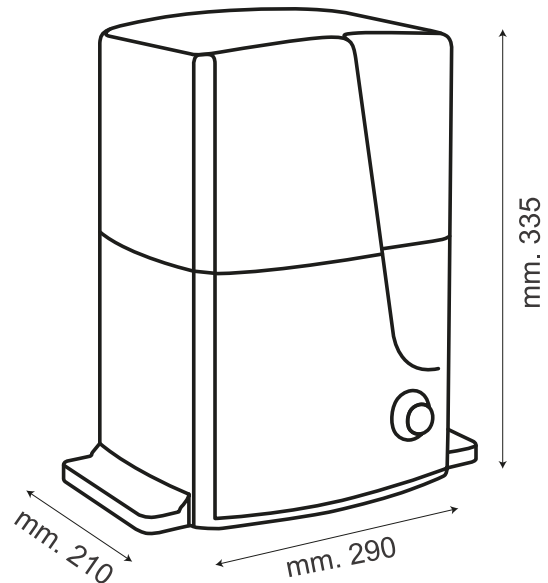
Los automatismos ERCOLE para cancelas correderas son actuadores electromecánicos que transmiten el movimiento a la hoja mediante un piñón con cremallera, acoplado a la cancela.

El sistema garantiza el bloqueo mecánico cuando el motor no está en marcha, lo que permite prescindir de cerraduras. Los motorreductores están dotados de embragues mecánicos o electrónicos regulables, que funcionan como medio de seguridad antiplastamiento y proveen a la detención y al bloqueo de la cancela. Un cómodo mecanismo de desbloqueo manual permite mover la cancela en caso de corte de energía o fallo del sistema.

Los automatismos ERCOLE han sido proyectados y construidos para controlar el acceso vehicular. Evítese todo otro uso.

1. DESCRIPCIÓN Y CARACTERÍSTICAS TÉCNICAS

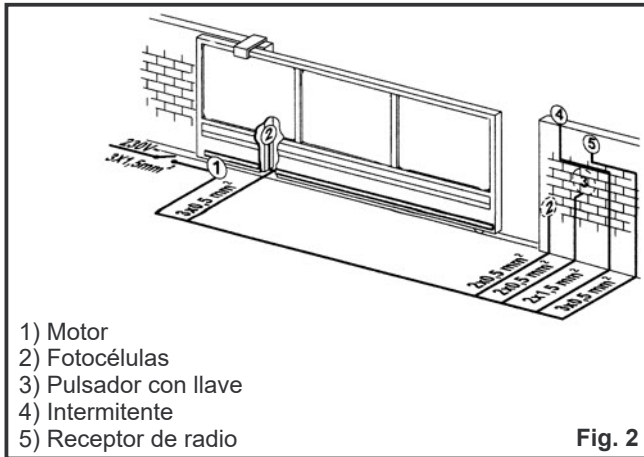
1.1. MEDIDAS



1.3. CARACTERÍSTICAS TÉCNICAS DE LOS MOTORREDUCTORES

MODELO	QK-E2500 Monofásico	QK-E2500T Trifásico
Alimentación	230V (+6% -10%) 50/60Hz	380V (+6% -10%) 50/60Hz
Potencia absorbida (W)	650	
Velocidad de rotación (rev/min.)	1400	
Corriente absorbida (A)	2,4	
Condensador de arranque	25 uf	/
Relación de reducción	1:30	
Pinón	Modulo 4 - Z16	
Empuje máx (daN)	170	
Protección térmica bobinado	130°C	
Frecuencia de uso	Uso intensivo	
Cantidad de aceite (Lt)	1	
Aceite	Total Equivis HZS 68	
Temperatura de funcionamiento	-30°C +70°C	
Peso motorreductor (Kg)	17	
Grado de protección	IP 55	
Peso max cancela (Kg)	2500	
Velocidad de la cancela	12 m/min.	
Embrague	Doble disco en aceite	

2. INSTALACIÓN ELÉCTRICA (sistema estándar)



3. INSTALACIÓN DEL AUTOMATISMO

3.1. CONTROLES PRELIMINARES

Por seguridad, y para garantizar un funcionamiento correcto del automatismo, deben satisfacerse los siguientes requisitos:

- La estructura de la cancela debe ser idónea para el funcionamiento automatizado. En particular, es necesario que el diámetro de las ruedas sea compatible con el peso de la cancela y que estén instalados una guía superior y topes mecánicos de final de carrera para evitar que la cancela descarrile.
- El suelo debe ser lo suficientemente firme para soportar el plinto de cimentación.
- En la zona donde se practique la excavación para el plinto no debe haber tubos ni cables eléctricos.
- Si el motorreductor se encuentra expuesto al paso de vehículos, es conveniente instalar adecuadas protecciones contra choques accidentales.
- Cerciorarse de que haya una descarga a tierra eficaz para la conexión del motorreductor

3.2. EMPOTRAMIENTO DE LA PLACA DE CIMENTACIÓN

1) Colocar la placa de cimentación como ilustra la fig. 3 (cierre a la derecha) o la fig. 4 (cierre a la izquierda) para asegurar que el piñón y la cremallera engranen correctamente.

N.B. Se aconseja colocar la placa sobre una base de cemento, a unos 50 mm del suelo (fig. 6).

2) Ensamblar la placa de cimentación como ilustra la fig. 5

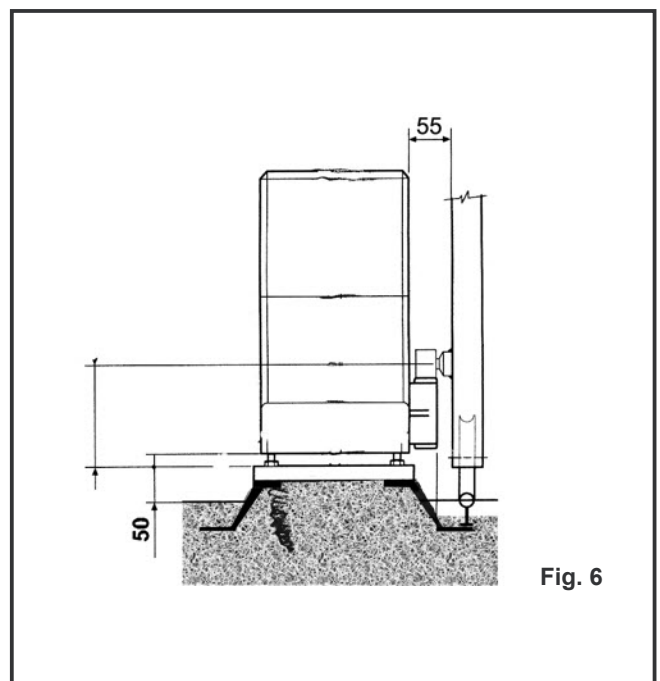
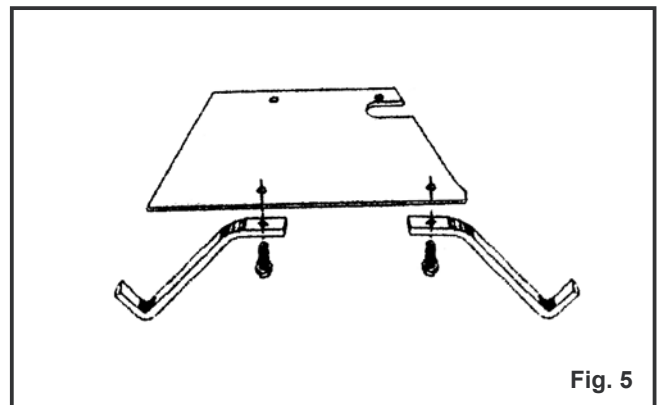
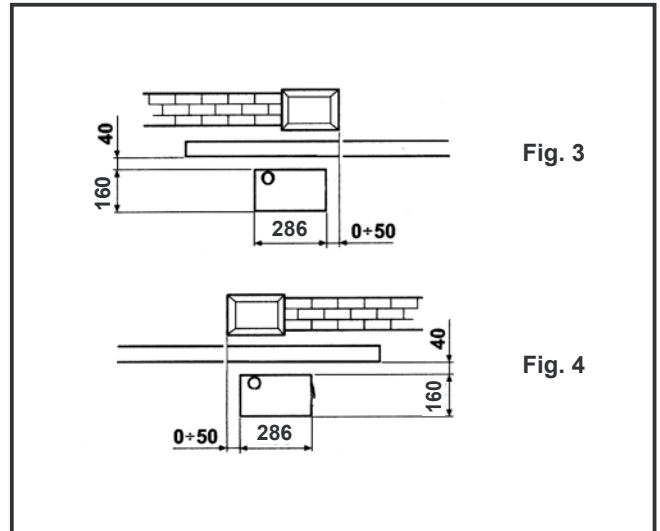
3) Realizar el plinto de cimentación y empotrar la placa colocando una o más vainas para el paso de los cables eléctricos. Verificar la perfecta horizontalidad de la placa mediante un nivel, y dejar fraguar el cemento.

4) Tender los cables para la conexión con los accesorios y la alimentación eléctrica. Para facilitar las conexiones, dejar sobresalir los cables aproximadamente 45 cm de la placa de cimentación.

3.3. INSTALACIÓN MECÁNICA

1) Quitar la tapa y ubicar el motorreductor sobre la placa de cimentación, pasando los cables eléctricos por el conducto practicado en el cuerpo del actuador.

2) Fijar el motorreductor a la placa de cimentación mediante las tuercas y las chapas que se incluyen en el suministro



3.4. MONTAJE DE LA CREMALLERA

3.4.1. CREMALLERA DE ACERO PARA SOLDAR (fig.7)

- 1) Montar los tres pitones roscados en el elemento de la cremallera, colocándolos en la parte superior de la ranura. De este modo, el juego en la ranura permitirá efectuar los ajustes necesarios a medida que pase el tiempo.
- 2) Cerrar la hoja manualmente.
- 3) Apoyar en el piñón el primer tramo de cremallera, correctamente nivelado, y soldar el pitón roscado a la cancela
- 4) Mover la cancela manualmente, controlando que la cremallera se apoye en el piñón, y soldar los dos pitones siguientes.
- 5) Acercar otro elemento de cremallera al anterior, utilizando un trozo de cremallera para poner en fase el dentado de ambos tramos.
- 6) Abrir la cancela manualmente y soldar los tres pitones roscados. Continuar hasta cubrir completamente la cancela.

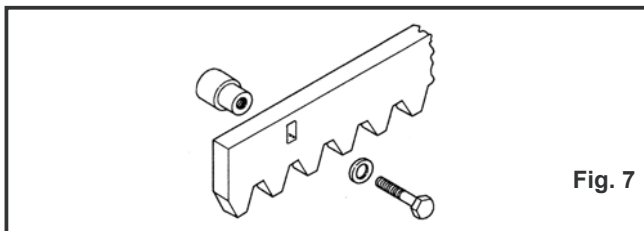


Fig. 7

3.4.2. CREMALLERA DE ACERO PARA ATORNILLAR (fig. 8)

- 1) Cerrar la hoja manualmente.
- 2) Apoyar en el piñón el primer tramo de cremallera, correctamente nivelado, y colocar el espaciador en la parte superior de la ranura entre la cremallera y la cancela.
- 3) Marcar el punto de perforación en la cancela. Taladrar con una broca de 6,5 mm de diámetro y roscar con un macho de 8mm. Atornillar el perno.
- 4) Mover la cancela manualmente, controlando que la cremallera se apoye en el piñón, y repetir las operaciones descritas en el punto 3).
- 5) Acercar otro elemento de cremallera al anterior, utilizando un trozo de cremallera para poner en fase el dentado de ambos tramos.
- 6) Mover la cancela manualmente y repetir las operaciones de fijación como para el primer elemento. Continuar hasta cubrir toda la cancela.

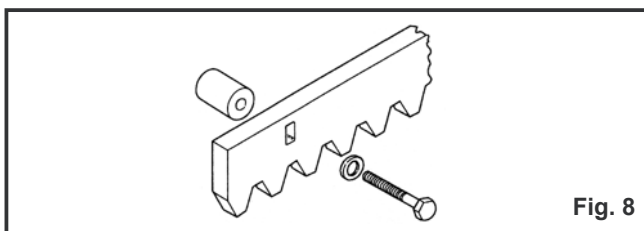


Fig. 8

3.4.3. CREMALLERA DE NYLON PARA ATORNILLAR (fig. 9)

- 1) Cerrar la hoja manualmente.
- 2) Apoyar en el piñón el primer tramo de cremallera, correctamente nivelado, y marcar el punto donde debe perforarse la cancela. Taladrar con una broca de 4 mm de diámetro y colocar el tornillo autorroscante 6 x 20 mm con la respectiva placa de refuerzo.
- 3) Mover la cancela manualmente, controlando que la cremallera se apoye en el piñón, y repetir las operaciones descritas en el punto 2).
- 4) Acercar otro elemento de cremallera al anterior, utilizando un trozo de cremallera para poner en fase el dentado de ambos tramos
- 5) Mover la cancela manualmente y repetir las operaciones de fijación como para el primer elemento. Continuar hasta cubrir toda la cancela.

N.B. Verificar que, durante el desplazamiento de la cancela, ningún elemento de la cremallera se salga del piñón.
Atención: no soldar por ningún motivo los elementos de la cremallera ni a los espaciadores ni entre si (sólo para cremalleras de acero).
 Mover la cancela a mano y controlar que llegue correctamente a los topes mecánicos de final de carrera. El movimiento debe ser suave y sin rozamientos.
 No utilizar grasa ni otros productos lubricantes entre el piñón y la cremallera.

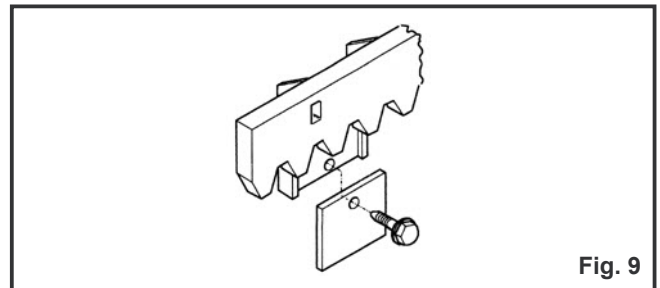


Fig. 9

4. PUESTA EN FUNCIONAMIENTO

4.1. CONEXIÓN DEL EQUIPO ELECTRÓNICO

Atención: antes de efectuar cualquier tipo de operación en el equipo electrónico (conexiones, programación o mantenimiento), desconectar siempre la alimentación eléctrica.

4.2. PRUEBA DEL AUTOMATISMO

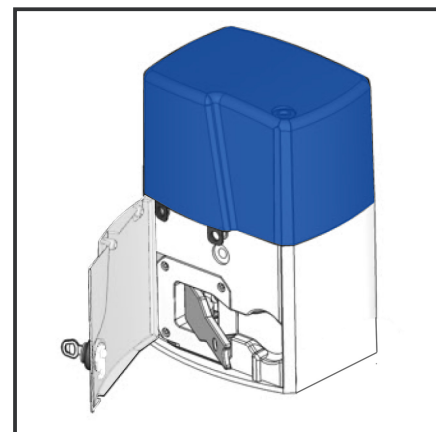
Una vez concluida la instalación, comprobar minuciosamente el funcionamiento del automatismo y de todos los accesorios conectados a él. Entregar al cliente un ejemplar de la «Guja para el usuario» e ilustrarle las condiciones correctas de funcionamiento y el empleo del motorreductor, remarcando las zonas de peligro potencial del automatismo

5. FUNCIONAMIENTO MANUAL

Si fuera necesario mover la cancela a mano - por falta de energía eléctrica o fallo del automatismo - servirse del dispositivo de desbloqueo como se describe a continuación.

SISTEMA DE DESBLOQUEO CON PALANCA

- 1) Abrir la taquilla de plástico de protección del sistema de desbloqueo.
- 2) Tirar la palanca en el alojamiento del sistema de desbloqueo.
- 3) Abrir o cerrar la puerta manualmente.



6. REANUDACIÓN DEL FUNCIONAMIENTO NORMAL

Para evitar que un impulso involuntario accione la cancela durante la maniobra, antes de volver a bloquear el actuador, desconectar la alimentación eléctrica del equipo.

SISTEMA DE DESBLOQUEO CON PALANCA

- 1) Cerrar la palanca de desbloqueo en su sede.
- 2) Abrir o cerrar la puerta hasta que el sistema de desbloqueo se engrane.
- 3) Cerrar la tarquilla de plástico de protección del sistema de desbloqueo.

7. MANTENIMIENTO

Durante el mantenimiento, verificar siempre la calibración del embrague antiplastamiento y la eficacia de los dispositivos de seguridad.

7.1. RECARGA DE ACEITE

Controlar periódicamente la cantidad de aceite que hay dentro del motor.

Para frecuencias de uso medias-bajas, es suficiente un control anual. Para empleos más intensos, se aconseja efectuarlo cada seis meses.

Para rellenar, desenroscar el tapón de carga y verter aceite hasta el nivel adecuado

8. REPARACIONES

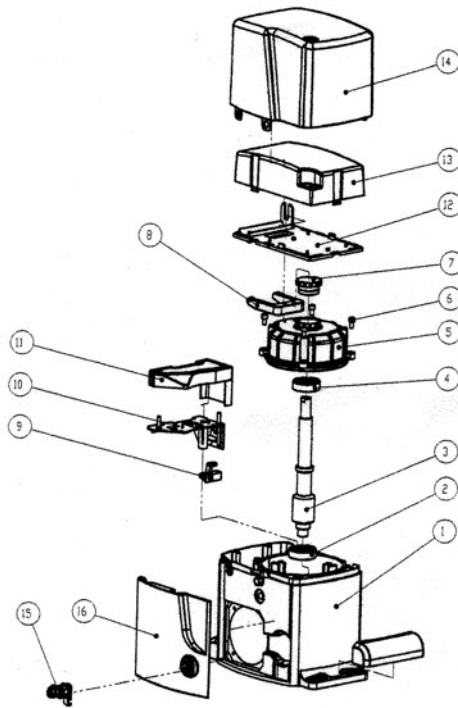
Para cualquier reparación, dirigirse a un centro autorizado.

ADVERTENCIA

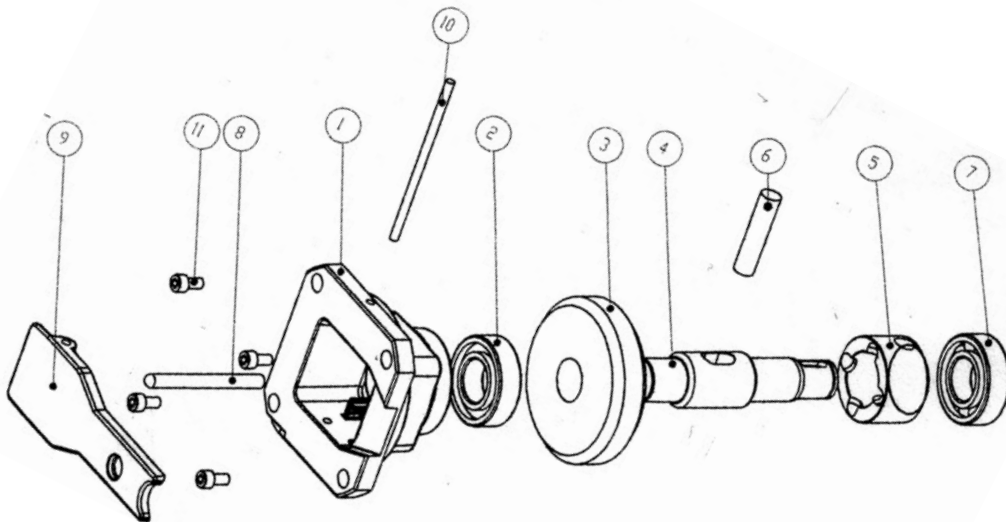
Las descripciones y las ilustraciones de este manual no comportan compromiso alguno. El fabricante se reserva el derecho, dejando inmutadas las características esenciales de los aparatos, de aportar, en cualquier momento y sin comprometerse a poner al día la presente publicación, todas las modificaciones que considere oportunas para el perfeccionamiento técnico o para cualquier otro tipo de exigencia de carácter constructivo o comercial.

E

REPUESTOS



1	Cuerpo reductor
2	Rodamiento 6303
3	Arbolo motor
4	Rodamiento 6303
5	Tapa motor
6	Tornillo TCEI 6 x 12
7	Tapa registro embrague
8	Visagra caja electronica
9	Suporte molla final carrera
10	Base caja final carrera
11	Tapa final carrera
12	Base caja electronica
13	Tapa caja electronica
14	Tapa rettangular esterna
15	Bombillo con llave MSC
16	Tarquilla



E

1	Tapa quadra
2	Rodamiento 6205
3	Rueda dentada
4	Arbolo partidario
5	Junta de desbloqueo
6	Spina 12 X 47
7	Rodamiento 6205
8	Perno de desbloqueo 8 x 80,5
9	Palanca de desbloqueo
10	Spina palanca 5 X 106
11	Tornillo TCEI 6 X 12

Leer atentamente las instrucciones antes de utilizar el productoy guardarlas para futuras consultas

NORMAS GENERALES DE SEGURIDAD

Los automatismos ERCOLE si están correctamente instalados y se emplean de la manera debida, garantizan un elevado grado de seguridad. Algunas sencillas normas de comportamiento pueden evitar inconvenientes accidentales:

- Controlar que ninguna persona ni objeto permanezca en proximidad del automatismo, especialmente durante el funcionamiento del mismo.
- No dejar al alcance de los niños radiomandos ni otros generadores de impulsos que puedan accionar involuntariamente el automatismo.
- No permitir que los niños jueguen con el automatismo.
- No oponer resistencia al movimiento de la cancela.
- Evitar que ramas o arbustos interfieran con el movimiento de la cancela.
- Mantener eficaces y bien visibles los sistemas de señalización luminosa.
- No tratar de accionar la cancela a mano sin haberla desbloqueado previamente.
- En caso de fallo, desbloquear la cancela para permitir el tránsito y solicitar la intervención de personal técnico calificado.
- Una vez activado el funcionamiento manual, antes de restablecer la modalidad normal, desconectar la alimentación eléctrica del sistema.
- No efectuar ninguna modificación en los componentes del sistema de automatización.
- Abstenerse de todo intento de reparación o de intervención directa, y recurrir sólo a personal calificado.
- Al menos cada seis meses, hacer controlar por un técnico calificado la eficacia del automatismo, de los dispositivos de seguridad y de la conexión de tierra.

FUNCIONAMIENTO MANUAL

Si fuera necesario mover la cancela a mano por falta de energía eléctrica o fallo del automatismo- servirse del dispositivo de desbloqueo como se describe a continuación.

SISTEMA DE DESBLOQUEO CON PALANCA.

- Abrir la taquilla de plástico de protección del sistema de desbloqueo.

- Tirar la palanca en el alojamiento del sistema de desbloqueo.
- Abrir o cerrar la puerta manualmente.

DESCRIPCIÓN

Los automatismos ERCOLE se están específicamente concebidos para controlar áreas de acceso vehicular con frecuencia de tránsito media-alta. Los modelos ERCOLE para cancelas correderas son actuadores electromecánicos que transmiten el movimiento de la hoja mediante un piñón con cremallera oportunamente acoplado a la cancela. Si se ha definido el funcionamiento automático, enviando un impulso la cancela se cierra sola tras el tiempo de pausa programado. Si está activada la modalidad semiautomática, es necesario enviar un segundo impulso para obtener el cierre. Un impulso de apertura enviado durante la fase de cierre provoca siempre la inversión del movimiento. Un impulso de parada (si está previsto) detiene siempre el movimiento. Para una descripción detallada del comportamiento de la cancela corredera en las distintas modalidades de funcionamiento, consultar con el técnico instalador. Los automatismos están dotados de elementos de seguridad (fotocélulas) que impiden que la cancela se cierre cuando hay un obstáculo en su radio de acción. El sistema garantiza el bloqueo mecánico cuando el motor no está en marcha, lo que permite prescindir de cerraduras. Por este motivo, para abrir la cancela manualmente es necesario utilizar el sistema de desbloqueo. Los motorreductores están dotados de embragues mecánicos o electrónicos regulables, que funcionan como medio de seguridad antiplastamiento y garantizan la detención y el bloqueo de la cancela.

REANUDACIÓN DEL FUNCIONAMIENTO NORMAL

Para evitar que un impulso involuntario accione la cancela durante la maniobra, antes de volver a bloquear el actuador, desconectar la alimentación eléctrica del equipo.

SISTEMA DE DESBLOQUEO CON PALANCA

- Cerrar la palanca de desbloqueo en su sede.
- Abrir o cerrar la puerta hasta que el sistema de desbloqueo se engrane.
- Cerrar la tarquilla de plástico de protección del sistema de desbloqueo.

EU Declaration of Conformity

and Declaration of Incorporation of "quasi-machines" (pursuant to the Machinery Directive 2006/42/CE, Att.II, B)



Company name:	QUIKO ITALY SRL
Postal address:	Via Seccalegno, 19
Postcode and City:	36040, Sossano (VI) - Italy
Telephone number:	+39 0444 785513
E-Mail address:	info@quikoitaly.com

declare that the DoC is issued under our sole responsibility and belongs to the following product:

Apparatus model/Product:	Ercole QK-E2500; QK-E2500T
Type:	AUTOMATIONS FOR SLIDING GATES (230/400V)
Batch:	See the label on the motor

The object of the declaration described above is in conformity with the relevant Union harmonisation legislation:

- **Directive 2006/42/CE (MD Directive)**

- It is declared that the relevant technical documentation has been drawn-up in compliance with attachment VII B.
- It is also declared that the following essential health and safety requirements have been respected: 1.1.1 - 1.1.2 - 1.1.3 - 1.1.5 - 1.2.1 - 1.2.6 - 1.3.1 - 1.3.2 - 1.3.3 - 1.3.4 - 1.3.7 - 1.3.9 - 1.5.1 - 1.5.2 - 1.5.4 - 1.5.5 - 1.5.6 - 1.5.7 - 1.5.8 - 1.5.10 - 1.5.11 - 1.5.13 - 1.6.1 - 1.6.2 - 1.6.4 - 1.7.2 - 1.7.3 - 1.7.4 - 1.7.4.1 - 1.7.4.2 - 1.7.4.3.
- The undersigned declares that the afore-mentioned "partly-completed machinery" cannot be commissioned until the final machine, into which it has been incorporated, has been declared compliant with the Machinery Directive 2006/42/CE.
- On duly justified request, the manufacturer commits to transmitting the information regarding the "partly-completed machinery" to the national authorities without prejudice to their intellectual property rights.


- **Directive 2014/53/EU (RED Directive)**

- **Directive 2011/65/EU (RoHS)**

The following harmonised standards and technical specifications have been applied:

Title:	Date of standard/specification
EN 61000-6-2	2005 + AC:2005
EN 61000-6-3	2007 + A1:2011+AC:2012,
EN 301 489-1 V2.2.3	2019
EN 301 489-3 V2.1.1	2017
EN 60335-2-103	2015
EN 12453	2017
EN 62479	2010
EN 300 220-2 V3.1.1	2017
EN IEC 63000	2018

Additional information

Signed for and on behalf of:		
Revision:	Place and date of issue:	Name, function, signature
01.00	GG/MM/AAAA	(Borinato Luca, Legal Officer)
	Sossano, 28/09/2021	

DECLARATION OF CONFORMITY
(OF THE INSTALLER)

The undersigned:

Address:

in charge of the set-up, declares that the product:

Gate type:

Location:

are in compliance with the essential safety requirements of the regulations:

- ✓ Electro magnetic Compatibility Directive2004/108/EC
- ✓ Low Voltage Directive2014/35/EC
- ✓ Machinery Directive2006/42/EC

and also declares that the related and/or specific national technical regulations have been followed:

- ✓ EN 12453/EN 12445 on Industrial, Commercial and Residential Gates and Doors – Safe Use of Motorized Doors – Requirements and Classification – Test Methods;
- ✓ EN 12604/ EN 12605 on Industrial, Commercial and Residential Gates and Doors – Mechanical Aspects – Requirements and Classification – Test Methods;
- ✓ CEI 64/8 Electrical Systems Using Nominal Tension Not Higher Than 1000V a.c. and 1500 V d.c.;
- ✓ EN 13241-1 (Industrial, commercial and garage doors and gates), conformity evaluation (6.3).

Notes:

Place and date:



QUIKO ITALY

Via Seccalegno, 19
36040 Sossano (VI) - Italy
Tel. +39 0444 785513
Fax +39 0444 782371
info@quikoitaly.com
www.quikoitaly.com

