

# USER MANUAL

## EON 600 V05

**SWING GATE OPENER**  
**ATTUATORE PER CANCELLI A BATTENTE**  
**MOTEUR POUR PORTAILS A BATTANT**



Download



MADE IN ITALY

TECHNICAL FEATURES	DATI TECNICI	DONNEES TECHNIQUES	QK-E600 QK-E600FX	QK-E600B
Power	Alimentazione	Alimentation	230Vac 50 / 60Hz	24Vdc
Current absorbed (motor) (A)	Assorbimento motore (A)	Intensité (A)	0,9-1,5	0,7 - 5
Power absorbed (W)	Potenza assorbita (W)	Puissance absorbée (W)	350	120
Capacitor (µF)	Condensatore (µF)	Condensateur (µF)	8	-
Protection level (IP)	Grado di protezione (IP)	Indice de protection (IP)	44	44
Opening time (sec)	Tempo apertura (sec)	Vitesse (sec)	20	20
			10	10
Stroke (mm)	Corsa (mm)	Course (mm)	600	600
Max. thrust (N)	Spinta max. (N)	Couple max (N)	2200	2200
Working temp. (°C Min/Max)	Temp. di esercizio (°C Min/Max)	Temp. de service (°C Min/Max)	-30/+70	-30/+70
Thermal cut-out (°C)	Termoprotezione (°C)	Protection thermique (°C)	150	-
Working cycle (%)	Ciclo di lavoro (%)	Cycle de travail (%)	40	100
Motor weight (kg)	Peso motore (kg)	Poids (kg)	6	6
Max. leaf length (m)	Lunghezza max. anta (m)	Longueur maxi vantail (m)	5	5

### WIRING / CABLAGGIO / CABLAGE:

#### QK-E600

BROWN CABLE – CAVO MARRONE – BRUNES CABLE  
 BLACK CABLE – CAVO NERO – NOIR CABLE  
 GREY CABLE – CAVO GRIGIO - GRIS CABLE  
 YELLOW/GREEN CABLE – CAVO GIALLO/VERDE - JAUNE/VERT CABLE

#### QK-E600B:

EACH ONE OF THE 2 CABLES CONTROL ONE SENSE OF ROTATION OF THE MOTOR  
 OGNUNO DEI 2 CAVI CONTROLLA UN SENSO DI ROTAZIONE DEL MOTORE  
 CHAQUE DES 2 CABLES COMMANDE UNE SENS DE ROTATION DU MOTEUR

PHASE1 – FASE1  
 PHASE2 – FASE2  
 NEUTRAL – NEUTRO  
 GROUND - TERRA - MASSE



### MANUAL UNLOCKING / SBLOCCO MANUALE / DEBLOCAGE MANUEL:

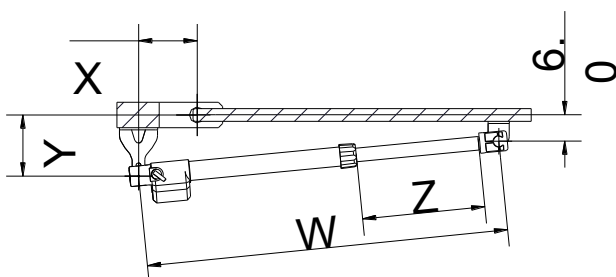


In case of power blackout it is possible to open the gate manually unlocking the motor turning counterclockwise the apposite key.

*In caso di mancanza di corrente è possibile aprire il cancello manualmente sbloccando il motore con la chiave girandola in senso antiorario.*

En cas de blackout c'est possible d'ouvrir la porte utilisant déverrouillage manuel du moteur en tournant la clé dans le sens antihoraire.

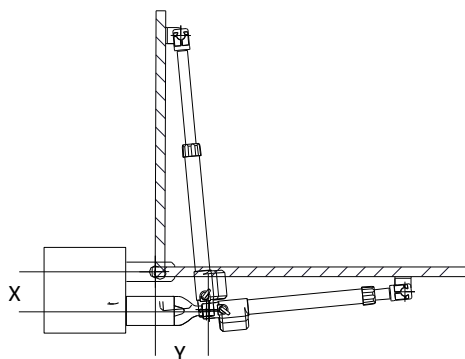
### MEASURES TO BE RESPECTED / MISURE DA RISPETTARE / MESURES A RESPECTER:



QK-E600	ROTATION 95 °			
	W	X	Y	Z
	1532	280	280	678
QK-E600	ROTATION 120 °			
	W	X	Y	Z
	1532	310	120	678

## PUSH TO OPEN SOLUTION

If necessary, when PUSH TO OPEN installation is required, extending the bracket on the pillar, it is possible to install the motor internally and let the gate open externally as per the image below:



## EU Declaration of Conformity

and Declaration of Incorporation of "quasi-machines" (pursuant to the Machinery Directive 2006/42/CE, Att.II, B)



<b>Company name:</b>	<b>QUIKO ITALY SRL</b>
<b>Postal address:</b>	Via Seccalegno, 19
<b>Postcode and City:</b>	36040, Sossano (VI) - Italy
<b>Telephone number:</b>	+39 0444 785513
<b>E-Mail address:</b>	info@quikoitaly.com

declare that the DoC is issued under our sole responsibility and belongs to the following product:

<b>Apparatus model/Product:</b>	<b>Eon: QK-E400 ; QK-E400FX ; QK-E400B ; QK-E400BFX ; QK-E600 ; QK-E600FX; QK-E600B</b>
<b>Type:</b>	AUTOMATIONS FOR SWING GATES (230/110/24V)
<b>Batch:</b>	See the label on the motor

The object of the declaration described above is in conformity with the relevant Union harmonisation legislation:

- **Directive 2006/42/CE (MD Directive)**

- It is declared that the relevant technical documentation has been drawn-up in compliance with attachment VII B.
- It is also declared that the following essential health and safety requirements have been respected: 1.1.1 - 1.1.2 - 1.1.3 - 1.1.5 - 1.2.1 - 1.2.6 - 1.3.1 - 1.3.2 - 1.3.3 - 1.3.4 - 1.3.7 - 1.3.9 - 1.5.1 - 1.5.2 - 1.5.4 - 1.5.5 - 1.5.6 - 1.5.7 - 1.5.8 - 1.5.10 - 1.5.11 - 1.5.13 - 1.6.1 - 1.6.2 - 1.6.4 - 1.7.2 - 1.7.3 - 1.7.4 - 1.7.4.1 - 1.7.4.2 - 1.7.4.3.
- The undersigned declares that the afore-mentioned "partly-completed machinery" cannot be commissioned until the final machine, into which it has been incorporated, has been declared compliant with the Machinery Directive 2006/42/CE.
- On duly justified request, the manufacturer commits to transmitting the information regarding the "partly-completed machinery" to the national authorities without prejudice to their intellectual property rights.

- **Directive 2014/53/EU (RED Directive)**

- **Directive 2011/65/EU (RoHS)**

The following harmonised standards and technical specifications have been applied:

Title:	Date of standard/specification
EN 61000-6-2	2005 + AC:2005
EN 61000-6-3	2007 + A1:2011+AC:2012,
EN 301 489-1 V2.2.3	2019
EN 301 489-3 V2.1.1	2017
EN 60335-2-103	2015
EN 12453	2017
EN 62479	2010
EN 300 220-2 V3.1.1	2017
EN IEC 63000	2018

### Additional information

Signed for and on behalf of:

<b>Revision:</b>	<b>Place and date of issue:</b>	<b>Name, function, signature</b>
01.00	Sossano, 28/09/2021	(Borinato Luca, Legal Officer)