

USER MANUAL

EON 600

V01

SWING GATE OPENER
ATTUATORE PER CANCELLI A BATTENTE
MOTEUR POUR PORTAILS A BATTANT



 **MADE IN ITALY**

TECHNICAL FEATURES	DATI TECNICI	DONNEES TECHNIQUES	QK-E600 QK-E600FX
Power	<i>Alimentazione</i>	Alimentation	230Vac 50 / 60Hz
Current absorbed (motor) (A)	<i>Assorbimento motore (A)</i>	Intensité (A)	0,9-1,5
Power absorbed (W)	<i>Potenza assorbita (W)</i>	Puissance absorbée (W)	350
Capacitor (µF)	<i>Condensatore (µF)</i>	Condensateur (µF)	8
Protection level (IP)	<i>Grado di protezione (IP)</i>	Indice de protection (IP)	44
Opening time (sec)	<i>Tempo apertura (sec)</i>	Vitesse (sec)	20 10
Stroke (mm)	<i>Corsa (mm)</i>	Course (mm)	600
Max. thrust (N)	<i>Spinta max. (N)</i>	Couple max (N)	2200
Working temp. (°C Min/Max)	<i>Temp. di esercizio (°C Min/Max)</i>	Temp. de service (°C Min/Max)	-30/+70
Thermal cut-out (°C)	<i>Termoprotezione (°C)</i>	Protection thermique (°C)	150
Working cycle (%)	<i>Ciclo di lavoro (%)</i>	Cycle de travail (%)	40
Motor weight (kg)	<i>Peso motore (kg)</i>	Poids (kg)	6
Max. leaf length (m)	<i>Lunghezza max. anta (m)</i>	Longueur maxi vantail (m)	5

WIRING / CABLAGGIO / CABLAGE:

QK-E600

BROWN CABLE – CAVO MARRONE – BRUNES CABLE

BLACK CABLE – CAVO NERO – NOIR CABLE

GREY CABLE – CAVO GRIGIO - GRIS CABLE

YELLOW/GREEN CABLE – CAVO GIALLO/VERDE - JAUNE/VERT CABLE

PHASE1 – FASE1

PHASE2 – FASE2

NEUTRAL – NEUTRO

GROUND - TERRA - MASSE



MANUAL UNLOCKING / SBLOCCO MANUALE / DEBLOCAGE MANUEL:

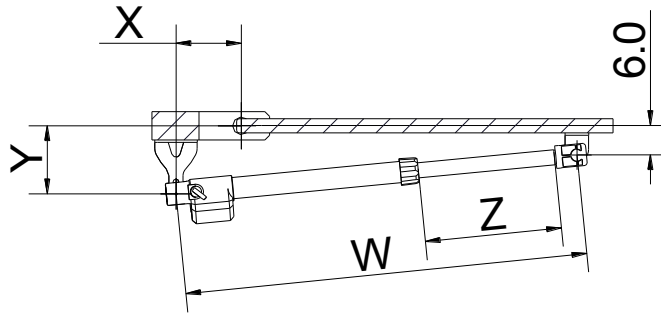


In case of power blackout it is possible to open the gate manually unlocking the motor turning counterclockwise the opposite key.

In caso di mancanza di corrente è possibile aprire il cancello manualmente sbloccando il motore con la chiave girandola in senso antiorario.

En cas de blackout c'est possible d'ouvrir la porte utilisant déverrouillage manuel du moteur en tournant la clé dans le sens antihoraire.

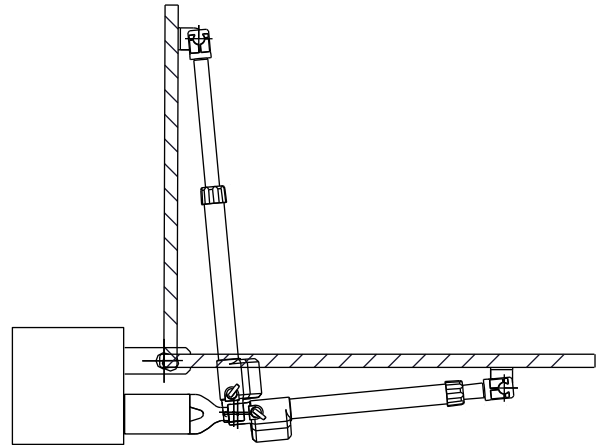
MEASURES TO BE RESPECTED / MISURE DA RISPETTARE / MESURES A RESPECTER:



QK-E600	ROTATION 95 °			
	W	X	Y	Z
	1532	280	280	678
	ROTATION 120 °			
	W	X	Y	Z
	1532	310	120	678

PUSH TO OPEN SOLUTION

If necessary, when PUSH TO OPEN installation is required, extending the bracket on the pillar, it is possible to install the motor internally and let the gate open externally as per the image below:



**DECLARATION OF CONFORMITY
(OF THE MANUFACTURER)**

Manufacturer: **QUIKO ITALY**
Via Seccalegno, 19
36040 Sossano (VI)
Italia

hereby declares, under his liability, that products: QK-E600
are in compliance with the essential safety requirements of the regulations:

- Electro-magnetic Compatibility Directive2004/108/EC
- Low Voltage Directive2006/95/EC
- Machinery Directive2006/42/EC

and their amendments and modifications, and with the regulations set forth by the
National Legislative Body of the country in which the machinery is destined for use.

Sossano, 01/01/2016



Managing Director

Luca Borinato