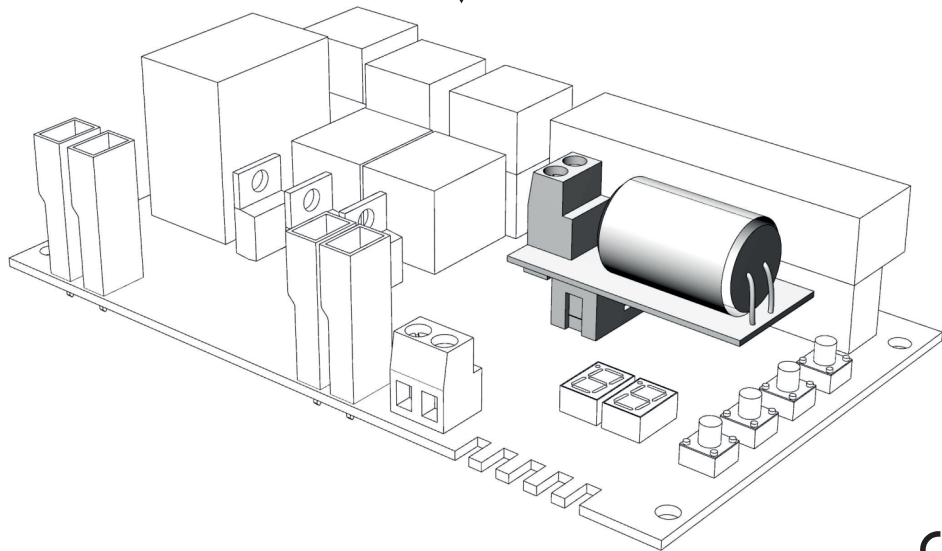
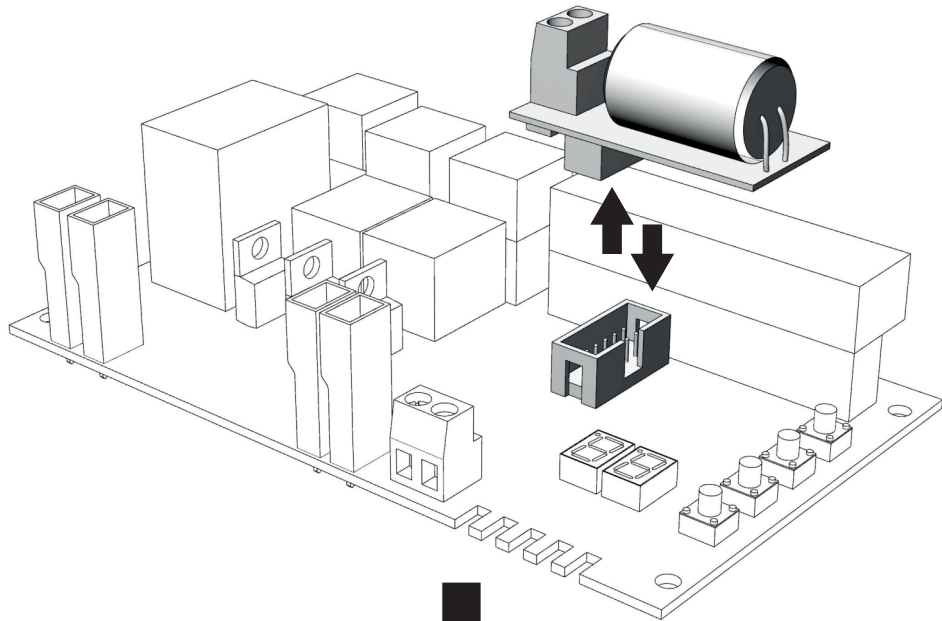


12V / 2A
ELECTRIC LOCK MODULE



12V / 2A
ELECTRIC LOCK MODULE

