

POWER SUPPLY 230 V - 50 Hz

LAMP 230 V - max 20 W - lamp cap E14

ELECTRIC WIRE $\geq 2 \times 0,75 \text{ mm}^2$; $\leq 2 \times 1,5 \text{ mm}^2$ 

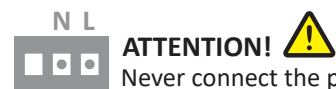
230V



STEADY LIGHT

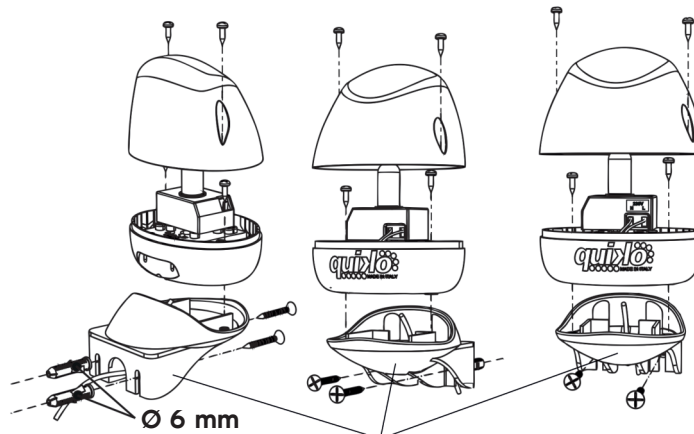


FLASHING LIGHT



ATTENTION!

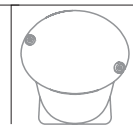
Never connect the poles of the 230V in this configuration.



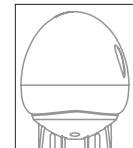
Ø 6 mm

OPTIONAL [L] Bracket **QK-BRALUX**

114 mm



148 mm



120 mm



ALIMENTAZIONE 230 V - 50 Hz

LAMPADA 230 V - max 20 W - attacco tipo E14

CAVO ELETTRICO $\geq 2 \times 0,75 \text{ mm}^2$; $\leq 2 \times 1,5 \text{ mm}^2$ 

230V



LUCE FISSA

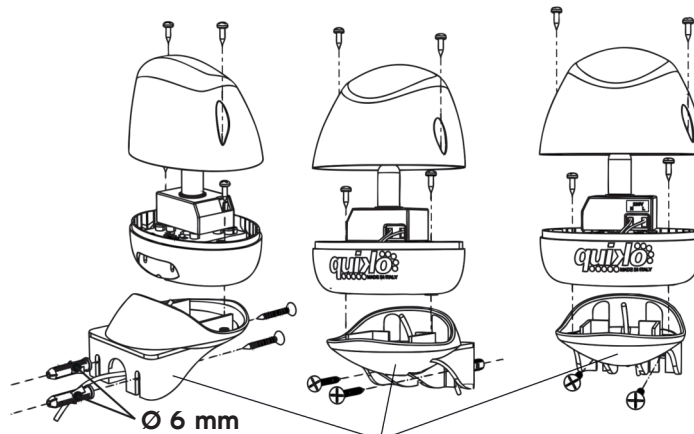


LUCE LAMPEGGIANTE



ATTENZIONE!

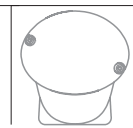
Non collegare mai i poli della 230V in questa configurazione.



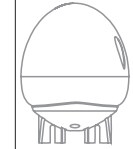
Ø 6 mm

OPTIONAL [L] Bracket **QK-BRALUX**

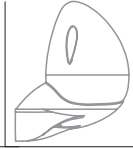
114 mm



148 mm



120 mm



ALIMENTATION 230 V - 50 Hz

LAMPE 230 V - max 20 W - culot de lampe E14

FIL ÉLECTRIQUE $\geq 2 \times 0,75 \text{ mm}^2$; $\leq 2 \times 1,5 \text{ mm}^2$ 

230V



LUMIÈRE FIXE

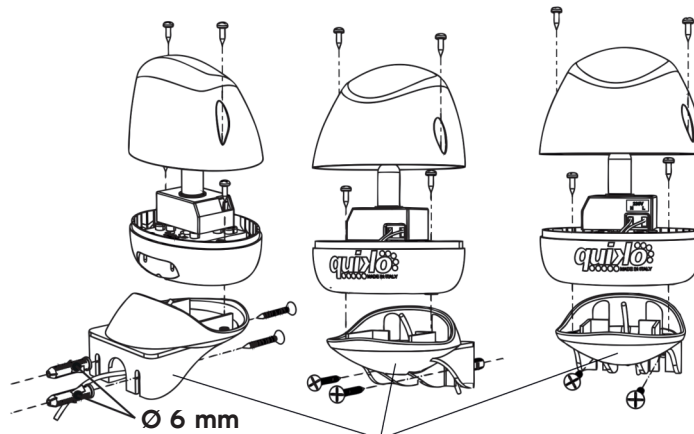


LUMIÈRE CLIGNOTANTE



ATTENTION!

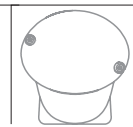
Ne jamais connecter les pôles du 230V dans cette configuration.



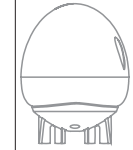
Ø 6 mm

OPTIONAL [L] Bracket **QK-BRALUX**

114 mm



148 mm



120 mm



SUMINISTRO DE ENERGÍA 230 V - 50 Hz

LAMPADA 230 V - max 20 W - tipo de enganche E14

HILO ELÉCTRICO $\geq 2 \times 0,75 \text{ mm}^2$; $\leq 2 \times 1,5 \text{ mm}^2$ 

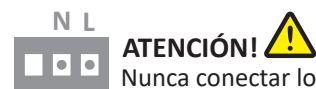
230V



LUZ FIJA

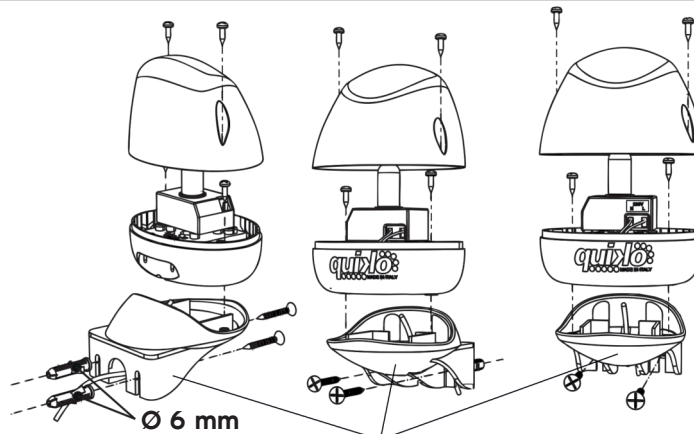


LUZ INTERMITENTE



ATENCIÓN!

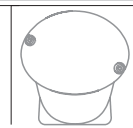
Nunca conectar los polos de 230V en esta configuración.



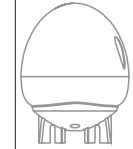
Ø 6 mm

OPTIONAL [L] Bracket **QK-BRALUX**

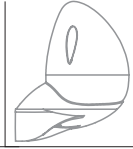
114 mm



148 mm



120 mm





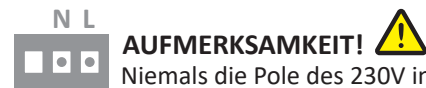
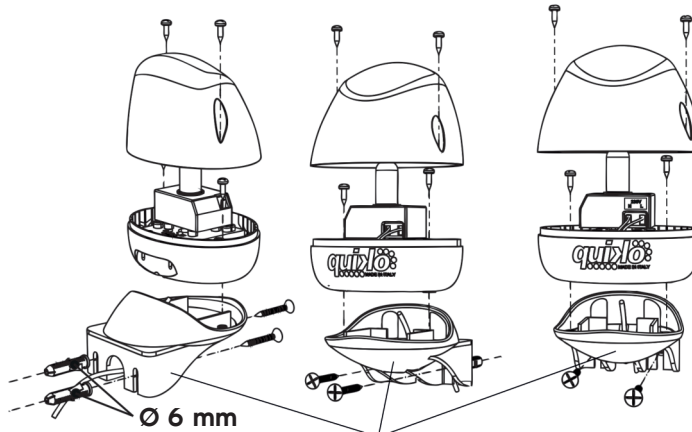
230V



DAUERLICHT



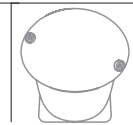
BLINKLICHT


AUFMERKSAMKEIT! Niemals die Pole des 230V in dieser Konfiguration verbinden.


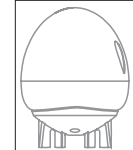
Ø 6 mm

 OPTIONAL [L] Bracket **QK-BRALUX**

114 mm



148 mm



120 mm



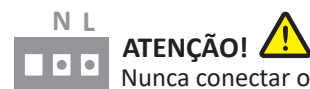
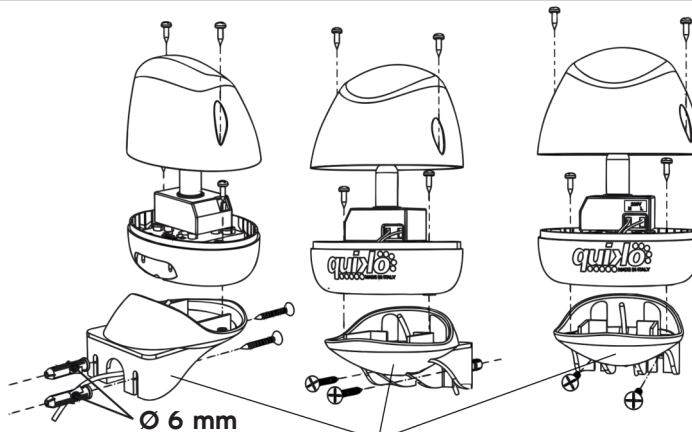
230V



LUZ CONSTANTE



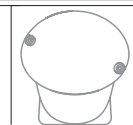
LUZ INTERMITENTE


ATENÇÃO! Nunca conectar os pólos do 230V nesta configuração.


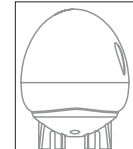
Ø 6 mm

 OPTIONAL [L] Bracket **QK-BRALUX**

114 mm



148 mm



120 mm



For private households: Information on Disposal for Users of WEEE This symbol on the product(s) and / or accompanying documents means that used electrical and electronic equipment (WEEE) should not be mixed with general household waste. For proper treatment, recovery and recycling, please take this product(s) to designated collection points where it will be accepted free of charge. Alternatively, in some countries, you may be able to return your products to your local retailer upon purchase of an equivalent new product. Disposing of this product correctly will help save valuable resources and prevent any potential negative effects on human health and the environment, which could otherwise arise from inappropriate waste handling. Please contact your local authority for further details of your nearest designated collection point. Penalties may be applicable for incorrect disposal of this waste, in accordance with your national legislation. For professional users in the European Union If you wish to discard electrical and electronic equipment (EEE), please contact your dealer or supplier for further information. For disposal in countries outside of the European Union This symbol is only valid in the European Union (EU). If you wish to discard this product please contact your local authorities or dealer and ask for the correct method of disposal.